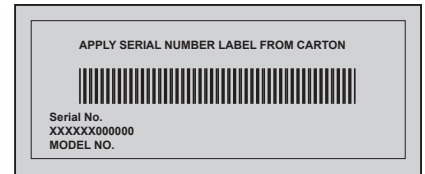


## ASSEMBLY USE AND CARE MANUAL

THIS GRILL MUST ONLY BE USED OUTDOORS IN A WELL-VENTILATED SPACE

RETAIN THIS MANUAL FOR FUTURE REFERENCE

# OUTDOOR CHARCOAL GRILL



## M605RBCSS

### MIRAGE 605 CHARCOAL GRILL



### WARNING

*Do not try to light this appliance without reading the "LIGHTING" instruction section of this manual.*



### DANGER

*Burning charcoal gives off carbon monoxide. Do not burn charcoal inside homes, garages, tents, vehicles or any enclosed areas.*



**WARNING!** Failure to follow these instructions exactly could result in a fire causing serious injury or death.

## THANK YOU FOR CHOOSING NAPOLEON

NAPOLEON products are designed with superior components and materials, and are assembled by trained craftsmen who take great pride in their work. This grill has been thoroughly inspected by a qualified technician before packaging and shipping to ensure that you, the customer, receive the quality product you expect from NAPOLEON.

We at Napoleon are dedicated to you, "our valued customer". It is our goal to provide you with the necessary tools for an unforgettable grilling experience. This manual is provided to assist you in assuring your new grill is assembled, installed, maintained and cared for properly. It is important to read and understand this entire manual before operating your new grill to ensure you fully understand all the safety precautions and features your grill has to offer. By carefully following these instructions, you will enjoy years of trouble-free grilling. If this product fails to meet your expectations, for any reason, please call our customer care department at 1-866-820-8686 between 9 AM and 5 PM (Eastern Standard Time) or visit our Website at [www.napoleongrills.com](http://www.napoleongrills.com).



## NAPOLEON GRILL PRESIDENT'S LIMITED LIFETIME WARRANTY

NAPOLEON warrants the following materials and workmanship in your new NAPOLEON grill against defects for as long as you own the grill. This covers aluminum castings (excluding paint), stainless steel and porcelain enameled base, wheels, knobs, porcelain enameled lids and stainless steel lid inserts, and lid handles, subject to the following conditions: During the first five years NAPOLEON will provide replacement parts at our option free of charge. From the sixth year to lifetime NAPOLEON will provide replacement parts at 50% of the current retail price.

Components such as cast iron cooking grids, lifting mechanism, and temperature gauges are covered and NAPOLEON will provide parts free of charge during the first two years of the limited warranty.

All other components including casters, warming racks, fasteners and accessories are covered and NAPOLEON will provide parts free of charge during the first year of the limited warranty. NAPOLEON shall not be liable for any transportation charges, labor costs or export duties.

## CONDITIONS AND LIMITATIONS

"NAPOLEON warrants its products against manufacturing defects to the original purchaser only, provided that the purchase was made through an authorized NAPOLEON dealer and is subject to the following conditions and limitations:"

This factory warranty is non-transferable and may not be extended what-so-ever by any of our representatives.

The grill must be installed by a licensed, authorized service technician or contractor. Installation must be done in accordance with the installation instructions included with the product and all local and national building and fire codes.

This limited warranty does not cover damages caused by misuse, lack of maintenance, grease fires, hostile environments, accident, alterations, abuse or neglect and parts installed from other manufacturers will nullify this warranty.

This limited warranty further does not cover any scratches, dents, painted finishes, corrosion or discoloring by heat, abrasive and chemical cleaners, nor chipping on porcelain enamel parts, nor any components used in the installation of the grill.

Should deterioration of parts occur to the degree of non-performance within the duration of the warranted coverage, a replacement part will be provided.

In the first year only, this warranty extends to the replacement of warranted parts, which are defective in material or workmanship provided that the product has been operated in accordance with the operation instructions and under normal conditions.

After the first year, with respect to this President's Limited Lifetime Warranty NAPOLEON may, at its discretion, fully discharge all obligations with respect to this warranty by refunding to the original warranted purchaser the wholesale price of any warranted but defective part(s).

NAPOLEON will not be responsible for the installation, labor or any other costs or expenses related to the re-installation of a warranted part, and such expenses are not covered by this warranty.

Notwithstanding any provision contained in this President's Limited Lifetime Warranty NAPOLEON's responsibility under this warranty is defined as above and it shall not in any event extend to any incidental, consequential, or indirect damages.

This warranty defines the obligation and liability of NAPOLEON with respect to the NAPOLEON grill and any other warranties expressed or implied with respect to this product, its components or accessories are excluded.

NAPOLEON neither assumes, nor authorizes any third party to assume, on its behalf, any other liabilities with respect to the sale of this product.

NAPOLEON will not be responsible for: over firing, blow outs caused by environmental conditions such as strong winds, or inadequate ventilation.

Any damages to the grill due to weather, hail, rough handling, damaging chemicals or cleaners will not be the responsibility of NAPOLEON.

The bill of sale or copy will be required together with a serial number and a model number when making any warranty claims from NAPOLEON.

NAPOLEON reserves the right to have its representative inspect any product or part prior to honoring any warranty claim.

NAPOLEON shall not be liable for any transportation charges, labor costs, or export duties.



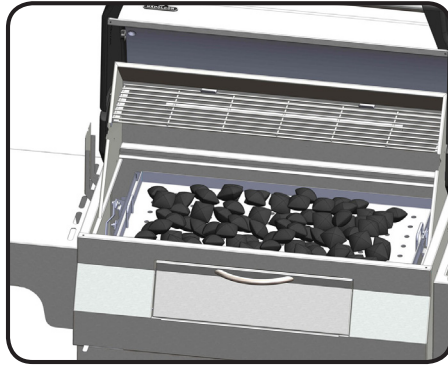
**WARNING!** Failure to follow these instructions could result in property damage, personal injury or death. Read and follow all warnings and instructions in this manual prior to operating grill.

## Safe Operating Practices

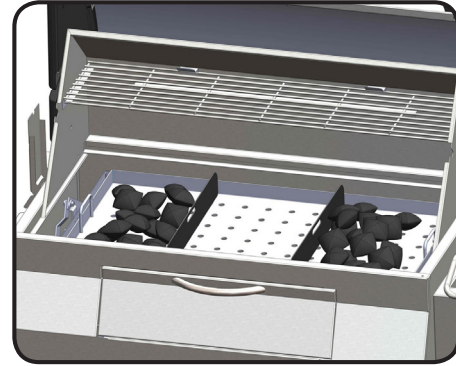
- Read the entire instruction manual before operating the grill.
- Under no circumstance should this grill be modified.
- Follow lighting instructions carefully when operating grill.
- Do not light charcoal with lid closed.
- Do not lean over grill when lighting.
- Prior to lighting rear chamber (burner) it must be in position on the brackets inside of the hood.
- Do not use gasoline, alcohol, or other highly volatile fluids to ignite charcoal. Use ONLY charcoal starter fluid approved for lighting charcoal. Make sure that any fluids that have drained through the bottom of the grill are removed before lighting the charcoal.
- Charcoal starter fluid should never be added to hot or even warm coals.
- After use and before lighting, charcoal starter fluid should be capped and stored a safe distance away from the grill, at least 25 feet.
- Keep children and pets away from hot grill, DO NOT allow children to climb inside cabinet.
- Do not leave the grill unattended while in use.
- Do not move grill when hot or operating.
- This grill must not be installed in or on recreational vehicles and/or boats.
- This grill must only be stored outdoors in a well-ventilated area and must not be used inside a building, garage, screened in porch, gazebo or any enclosed area.
- Maintain proper clearance to combustibles (16" to rear of unit 7" to sides). This clearance is also recommended near vinyl siding or panes of glass.
- At all times keep the ventilation openings of the enclosure free and clear from debris.
- Do not place hands inside grill when adjusting charcoal tray. Keep hands and fingers away from the lifting mechanism at all times.
- Do not operate unit under any combustible construction.
- Do not operate this grill under any overhead construction such as roof coverings, carports, awnings or overhangs.
- Do not locate in windy settings. High winds adversely affect the cooking performance of the grill.
- The lid is to be closed during the preheat period.
- The ash/grease tray must be in place when using the grill.
- Clean the ash/grease tray regularly to avoid build-up, which may lead to grease fires.
- Do not use the side shelves to store lighters, matches or any other combustibles.
- The grill should be on level ground at all times.
- Do not use water to control flare-ups or extinguish coals, as it may damage your grill's finish.
- To control flare-ups, slightly close the vents on your grill. To completely extinguish coals/fire, close all vents and lid completely.
- Use proper grilling tools with long, heat-resistant handles.
- Use barbecue mitts or hot pads to protect hands while cooking or adjusting the vents.
- Do not remove ashes from grill until all charcoal is completely burned out and fully extinguished. Allow ample time to cool.
- Remaining coal and ashes are to be removed from grill and stored in a non-combustible metal container. Allow to remain in metal container 24 hours before disposing of.
- Keep electrical supply cords away from water or heated surfaces.
- Always use this grill in accordance with local codes.
- **California Proposition 65:** The burning of charcoal creates by-products, some of which are on the list as substances known by the State of California to cause cancer or reproductive harm. When cooking with charcoal, always ensure adequate ventilation to the unit, to minimize exposure to such substances.

# Lighting Instructions

## DIRECT COOKING



## INDIRECT COOKING



## Charcoal Usage

Cooking Method	Charcoal Recommended
Direct Cooking	100
InDirect Cooking	50 per side *(add 16 per side for each additional hour of cooking time)

\*Charcoal recommendations are approximate, longer cooking times require additional charcoal to be added. As well, colder, windy temperatures will require additional charcoal to reach ideal cooking temperatures.



**WARNING!** Open lid.

**WARNING!** Locate the grill outdoors on a solid, level, non-combustible surface. Never use grill on wooden or other surfaces that could burn.

**WARNING!** Do not lean over grill when lighting charcoal.

**WARNING!** Ashpan must be in place during lighting and anytime during use.

MAIN CHAMBER LIGHTING DIRECT COOKING METHOD	MAIN CHAMBER LIGHTING INDIRECT COOKING METHOD	REAR CHAMBER LIGHTING (ROTISSERIE BURNER)
1. Fully open the vent on the base. Open the grill lid and remove the cooking grids.	1. Fully open the vent on the base. Open the grill lid and remove the cooking grids.	1. Fully open the vent on the base.
2. Ensure the ash pan is cleaned out from the previous use and then re-install.	2. Ensure the ash pan is cleaned out from the previous use and then re-install.	2. Ensure the ash pan is cleaned out from the previous use and then re-install.
3. Use either the Ultrachef Charcoal Starter (not included) following the instructions included in the manual, or place lighter cubes or lightly crumpled newspaper on the charcoal tray. Place the charcoal in a cone shaped pile in the center of the unit on the newspaper or lighter cubes.	3. Place a drip pan in the center of the charcoal tray. Engage the charcoal dividers into the charcoal tray on either side of the drip pan. Use either the Ultrachef Charcoal Starter (not included) following the instructions included in the manual, or place lighter cubes or lightly crumpled newspaper in the area provided by the charcoal dividers. Place the charcoal in the divider area onto the newspaper or lighter cubes.	3. Place lighter cubes or lightly crumpled newspaper into the charcoal basket. Do not over fill. Remove the warming rack. Ensure basket is in position, hanging from hood brackets, prior to lighting.
4. Light the newspaper or lighter cubes. Once fully lit, close the lid and allow the charcoal to burn until it is covered in a light grey ash (approximately 20 minutes).	4. Light the newspaper or lighter cubes. Once fully lit, close the lid and allow the charcoal to burn until it is covered in a light grey ash (approximately 20 minutes).	4. Light the newspaper or lighter cubes. Once fully lit, close the lid and allow the charcoal to burn until it is covered in a light grey ash (approximately 20 minutes).
5. Using tongs with long heat resistant handles spread the coals to evenly cover the entire charcoal tray		5. Using tongs with long heat resistant handles, spread the coals out evenly.



**WARNING!** DO NOT OPERATE THE REAR CHAMBER WITH MAIN CHAMBER OPERATING





Starter fluid can be used to light the charcoal, but it is not the preferred method. It can be messy and may leave a chemical taste on the food if not completely burned off prior to cooking. Once lit, never add additional starter fluid to the grill. Store the bottle at least, 25 ft (7.6m) away from the grill when operating.

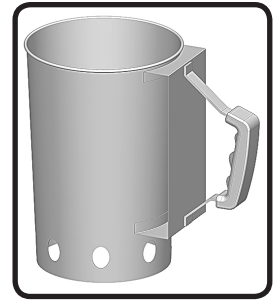


### ***Charcoal Starter Safe Operating Practices***

#### **WARNING!**

- For outdoor use only.
- Do not use the Charcoal Starter unless it is placed on a firm, level charcoal grate and the charcoal grill is on a firm, level, non-combustible surface.
- Do not place the Charcoal Starter on any combustible surface unless the Charcoal Starter is completely cool.
- Do not use lighter fluid, gasoline or self lighting charcoal in the Charcoal Starter.
- Only use the Charcoal Starter to light charcoal for charcoal grills.
- Always wear protective gloves when handling the Charcoal Starter.
- Keep children and pets away from the Charcoal Starter at all times.
- Do not use the Charcoal Starter in high winds.
- Do not leave the Charcoal Starter unattended while in use.
- Do not lean over the Charcoal Starter when lighting.
- Never use the Charcoal Starter for other than intended use. Do not use the Charcoal Starter to prepare food.
- Use extreme caution when pouring hot coals out of the Charcoal Starter.

**CHARCOAL STARTER**



### ***Using the Charcoal Starter***

- Turn the Charcoal Starter upside down.
- Crumple two full sheets of newspaper and stuff them into the bottom of the Charcoal Starter.
- Turn the Charcoal Starter right side up and place it in the centre of the charcoal grate.
- Add appropriate amount of charcoal but do not over fill.
- Light a match, and insert into one of the bottom air vents to ignite the newspaper.
- When the top layer of charcoal has a light coating of grey ash, wearing protective gloves carefully pour the hot charcoal onto the charcoal grate (direct cooking method) or place into the charcoal baskets (indirect method).
- Once the hot charcoal is placed into the grill, spread the charcoal out evenly using tongs with long heat resistant handles.

# Charcoal Cooking Guide

Charcoal is the traditional way of cooking that we are all familiar with. The glowing briquettes emit infrared energy to the food being cooked, with very little drying effect. Any juices or oils that escape from the food drip down onto the charcoal and vaporize into smoke giving the food its delicious grilled taste. The bottom line is that Napoleon's charcoal grill produces searing heat for juicier, tastier steaks, hamburgers and other meats. For cooking times and tips refer to the Charcoal Grilling Chart.

The following grilling chart is meant to be a guideline only. Cooking times are affected by such factors as altitude, outside temperature, wind, and desired doneness, which will be reflected in your cooking time. Use a meat thermometer to ensure foods are adequately cooked.

## Charcoal Grilling Chart

Food	Direct/Indirect Heat	Cooking Time	Helpful Suggestions
Steak 1 in. thick	Direct heat	6-8 min.– Medium	When selecting meat for grilling, ask for marbled fat distribution. The fat acts as a natural tenderizer while cooking and keeps it moist and juicy.
Hamburger 1/2 in. thick	Direct heat	6-8 min.– Medium	Preparing hamburgers to order is made easier by varying the thickness of your patties. To add an exotic taste to your meat, try adding hickory-flavored woodchips to the charcoal.
Chicken pieces	Direct heat approx 2 min. per side. Indirect heat for the remaining 18-20 min.	20-25 min.	The joint connecting the thigh and the leg from the skinless side should be sliced 3/4 of the way though for the meat to lay flatter on the grill. This helps it to cook faster and more evenly. To add a trademark taste to your cooking, try adding mesquite-flavored woodchips to the charcoal.
Pork chops	Direct heat	10-15 min.	Trim off the excess fat before grilling. Choose thicker chops for more tender results.
Spare ribs	Direct heat for 5 min. Indirect heat to finish	1.5-2 hrs. turning often	Choose ribs that are lean and meaty. Grill until meat easily pulls away from the bone.
Lamb chops	Direct heat	25-30 min.	Trim off the excess fat before grilling. Choose extra thick chops for more tender results.
Hot dogs	Direct heat	4-6 min.	Select the larger size wieners. Slit the skin lengthwise before grilling.

# Cooking Instructions

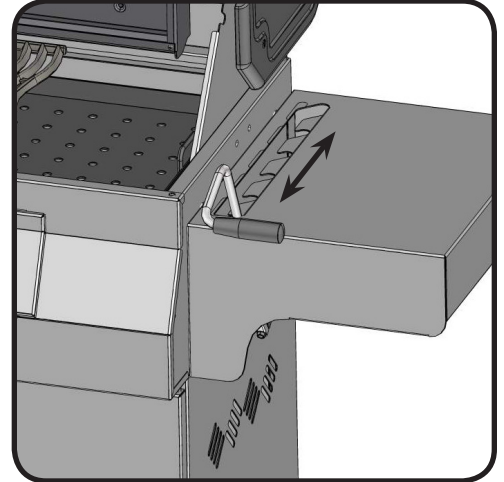
**Initial Lighting:** When lit for the first time, the grill emits a slight odor. This is a normal temporary condition caused by the “burn-in” of internal paints and lubricants used in the manufacturing process and does not occur again. Simply burn the grill on high for approximately 30 minutes with the lid and base vents fully open.



**WARNING!** Never place your hands inside the grill when adjusting the charcoal tray. Keep hands and fingers away from lifting mechanism at all times.

**Main Chamber Use:** The charcoal tray has six positions in which it can operate. For optimal use, we recommend locking the charcoal tray in the uppermost position as close to the cooking grids as possible. Lowering the tray away from the food as desired, and closing the intake vents can reduce temperatures.

We recommend preheating the grill by operating it with the lid closed for approximately 20 minutes. The coals are ready when they have a light coating of grey ash. Food cooked for short periods of time (fish, vegetables) can be grilled with the lid open. Cooking with the lid closed ensures higher, more even temperatures that will reduce cooking time and cook the food more evenly. When cooking very lean meat, such as chicken breast or lean pork, the grids can be oiled before preheating to reduce sticking. Cooking meat with a high degree of fat content may create flare-ups. Either trim the fat or reduce temperatures to inhibit this. Should a flare-up occur, move food away from flames; reduce the heat (reduce vent opening). Leave the lid open.



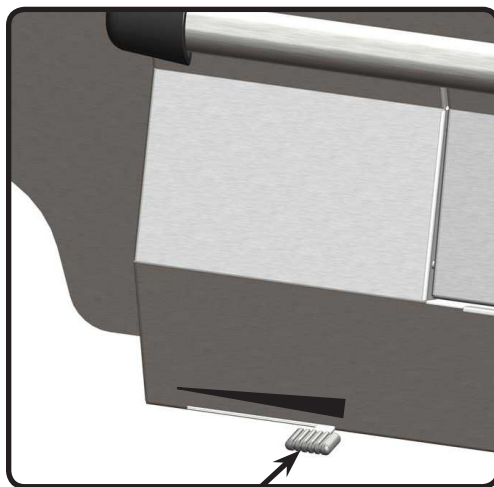
As a general rule, plan on using about 100 briquettes to cook 4 lb. (2kg) of meat. If cooking for more than 30 to 40 minutes, additional briquettes must be added to the fire. When the weather is cold or windy, you will need more briquettes to reach ideal cooking temperatures.

**Adding Charcoal During Cooking:** Use caution when adding charcoal to the grill. Flames may flare up when coals come in contact with fresh air. Carefully open door located on front of base. Stand back a safe distance and use a long-handled heat-resistant cooking tongs to add additional charcoal briquettes.

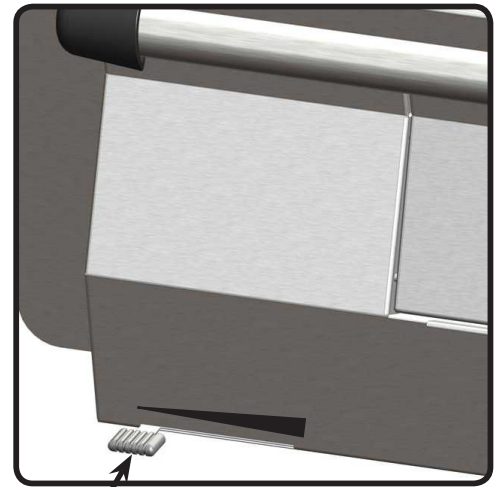


**WARNING!** Never add charcoal starter fluid to hot or warm coals. Once charcoal is ignited no more fluid is required.

**Operating The Vents:** Vents on a covered grill are usually left open to allow air into the grill. Air increases the burning temperature of the coals. You can regulate the grill's temperature by moving the vent slide to the right or left. Closing the vents either partially or completely will help to cool down the coals. Do not completely close the air vents and the lid vent unless you are trying to cool down or extinguish a flame.



**Vent Open**



**Vent Closed**

**Rear Chamber Use (Rotisserie Burner):** Remove the warming rack prior to use. Cooking grids should also be removed if they interfere with the rotisserie. Ensure rear chamber is installed on brackets located inside hood prior to lighting. The rear chamber is designed to be used in conjunction with the rotisserie kit (included with rear burner units) available from your dealer. See the rotisserie kit assembly instructions. To use the counterbalance, remove the rotisserie motor from the grill. Place the spit with meat being cooked across the hangers inside the grill. The meat will naturally hang with the heavy side down. Tighten the counterbalance arm and weight, so that the arm is facing up. Slide the counterweight in or out to balance the load, and tighten in place. Re-install the motor and begin cooking. Place a dish underneath to collect drippings for basting and naturally delicious gravy. Basting liquid may be added as required. Keep the lid closed for best results. Your roasts and fowl will brown perfectly on the outside and stay moist and tender on the inside. For example, a 3-pound chicken on the rotisserie will be done in approximately 1½ hours on medium to high. To add additional charcoal briquettes during cooking stand back a safe distance and use long heat-resistant handle cooking tongs.



**WARNING!** Only install rear chamber when using.



**WARNING!** Never add charcoal starter fluid to hot or warm coals, once charcoal is ignited no more fluid is required.

## After Use Safety



**WARNING!** To protect yourself and your property from damage, carefully follow these safety precautions.

- Close the grill lid and all vents to extinguish fire.
- Always allow the grill to cool completely before handling.
- Never leave coals and ashes in grill unattended. Make sure coals and ashes are completely extinguished before removing.
- Use a metal spatula or scoop to remove remaining coals and ashes from grill. Place them in a non-combustible metal container and completely saturate with water. Leave in container an additional 24 hours before disposing.

# Maintenance / Cleaning Instructions

It is recommended that the ashtray/dripan be emptied out after each use.



**WARNING!** Ensure the grill is cool and all coals are completely extinguished prior to removing any part from your grill.



**WARNING!** Always wear protective gloves and safety glasses when cleaning your grill.



**WARNING!** Do not use pressure washer to clean any part of the grill.



**WARNING!** To avoid the possibility of burns, maintenance should be done only when the grill is cool. Avoid unprotected contact with hot surfaces. Clean grill in an area where cleaning solutions will not harm decks, lawns, or patios. Do not use oven cleaner to clean any part of this grill. Do not use a self-cleaning oven to clean cooking grids or any other parts of the grill. Barbecue sauce and salt can be corrosive and will cause rapid deterioration of the grill components unless cleaned regularly.

**Grids And Warming Rack:** The grids and warming rack are best cleaned with a brass wire brush during the pre-heating period. Steel wool can be used for stubborn stains.

**Cleaning Inside The Grill:** Remove the cooking grids. Use a brass wire brush to clean loose debris from the casting sides and the insides of the lid. Scrape the inside of the base with a putty knife or scraper, and use a wire brush to remove ash. Sweep all debris from inside the grill into the removable ash/drip pan. If desired you can wash the inside of the grill with a mild detergent and water. Rinse well with clear water and wipe dry.



**WARNING!** Accumulated grease is a fire hazard. Clean the drip pan after each use to avoid grease buildup.

**Ash/Drip Pan:** Ashes, grease and excess drippings pass through to the ash/drip pan, located beneath the charcoal grill, and accumulate. To clean, slide the pan free of the grill. Never line the pan with aluminum foil, sand or any other material as this could prevent the grease from flowing properly. The pan should be scraped out with a putty knife or scraper, and all the debris brushed into a non-combustible metal container. Wash the ash/drip pan with a mild detergent and water. Rinse well with clear water and wipe dry.

**Cleaning The Outer Grill Surface:** Do not use abrasive cleaners or steel wool on any painted, porcelain or stainless steel parts of your Napoleon Grill. Doing so will scratch the finish. Exterior grill surfaces should be cleaned with warm soapy water while the metal is still warm to the touch. To clean stainless surfaces, use a stainless steel or a non-abrasive cleaner. Always wipe in the direction of the grain. Over time, stainless steel parts discolor when heated, usually to a golden or brown hue. This discoloration is normal and does not affect the performance of the grill. Porcelain enamel components must be handled with additional care. The baked-on enamel finish is glass-like, and will chip if struck. Touch-up enamel is available from your Napoleon Grill dealer.

# Troubleshooting

Problem	Possible Causes	Solution
Low heat / Low flame.	<p>Improper preheating.</p> <p>Not enough airflow.</p> <p>Low charcoal.</p> <p>Improper charcoal tray location.</p>	<p>Allow charcoal to burn until covered with a light grey ash. (usually 20-25min).</p> <p>Open Vents.</p> <p>Add more charcoal to the charcoal tray.</p> <p>Raise charcoal tray to highest position.</p>
Excessive flare-ups/uneven heat.	<p>Improper preheating.</p> <p>Excessive grease and ash build up in ash/drip pan.</p> <p>Improper charcoal tray location.</p>	<p>Preheat grill with lid closed for 20 - 25 mins.</p> <p>Clean ash/drip pan regularly. Do not line pan with aluminum foil. Refer to cleaning instructions.</p> <p>Lower charcoal tray to lowest position.</p>
"Paint" appears to be peeling inside lid or hood.	Grease build up on inside surfaces.	This is not a defect. The finish on the lid and hood is stainless steel, and will not peel. The peeling is caused by hardened grease, which dries into paint-like shards that will flake off. Regular cleaning will prevent this. See cleaning instructions.



# Charcoal Grilling In Review

## ***Lighting Your Grill***

- Before cooking for the first time, we recommend burning on high for 30 minutes with the base vents fully open. This will burn off any lubricants used in the manufacturing process.
- Fully open the vent on the base each time you light your grill.
- Ensure the ash pan is cleaned out from the previous use and then re-install.
- Use either the Ultrachef Charcoal Starter (not included) following the instructions included in the manual. Place the charcoal in a cone shaped pile in the center of the unit (direct cooking method) or the optional charcoal baskets (indirect method).
- Once fully lit, close the lid and allow the charcoal to burn until it is covered in a light grey ash (approximately 20 minutes), arrange the charcoal using tongs with heat resistant handles according to the cooking method you are going to use.
- Starter fluid can be used to light the charcoal, but it is not the preferred method. It can be messy and may leave a chemical taste on the food if not completely burned off prior to cooking. Once lit, never add additional starter fluid to the grill. Store the bottle at least 25ft (7.6m) away from the grill when operating.
- Additional smoke flavour can be achieved by adding smoker chips which are available in a variety of flavours through your Napoleon dealer.

## ***Cooking With Your Grill***

- We recommend preheating the grill by operating it with the lid closed for approximately 20 minutes. The coals are ready when they have a light coating of grey ash.
- As a general rule plan on using about 100 briquettes to cook 4 lb. (1kg) of meat. If cooking for more than 30 to 40 minutes, additional briquettes must be added to the fire. When the weather is cold or windy, you will need more briquettes to reach ideal cooking temperatures.
- Use caution when adding charcoal to the grill. Flames may flare up when coals come in contact with fresh air. Stand back a safe distance and use a long-handled heat-resistant cooking tongs to add additional charcoal briquettes.
- Vents on a covered grill are usually left open to allow air into the grill. Air increases the burning temperature of the coals. You can regulate the grill's temperature by moving the vent slide to the right or left.
- Allow food to cook with the lid closed. Every time the lid is removed, the temperature drops. This leads to lower temperatures and longer cooking times.
- Closing the vents either partially or completely will help to cool down the coals. Do not completely close the air vents unless you are trying to cool down or extinguish a flame.
- The cooking grid can be oiled before preheating to reduce sticking.
- Use a meat thermometer to ensure foods are adequately cooked.

## ***Grill Clean Up***

- Close the grill lid and all vents to extinguish fire.
- Always allow the grill to cool completely before handling.
- Never leave coals and ashes in grill unattended. Make sure coals and ashes are completely extinguished before removing.
- Use a metal spatula or scoop to remove remaining coals and ashes from grill. Place them in a non-combustible metal container and completely saturate with water. Leave in container an additional 24 hours before disposing.
- Use a brass wire brush to clean loose debris from the base and the insides of the lid.
- Wash the inside of the grill with a mild detergent and water. Rinse well with clear water and wipe dry.
- Porcelain enamel components must be handled with additional care. The baked-on enamel finish is glass-like, and will chip if struck. Touch-up enamel is available from your Napoleon Grill dealer.

**KEEP YOUR RECEIPT AS PROOF OF PURCHASE TO VALIDATE YOUR WARRANTY.**

## Ordering Replacement Parts

### *Warranty Information*

MODEL: \_\_\_\_\_

DATE OF PURCHASE: \_\_\_\_\_

SERIAL NUMBER: \_\_\_\_\_

### ***(Record information here for easy reference)***

Before contacting the Customer Care Department, check the NAC Website for more extensive cleaning, maintenance, troubleshooting and parts replacement instructions at [www.napoleongrills.com](http://www.napoleongrills.com). Contact the factory directly for replacement parts and warranty claims. Our Customer Care Department is available between 9 AM and 5 PM (Eastern Standard Time) at 1-866-820-8686 or fax at 1-705-727-4282. To process a claim, we must be provided with the following information:

1. Model and serial number of the unit.
2. Part number and description.
3. A concise description of the problem ('broken' is not sufficient).
4. Proof of purchase (photocopy of the invoice).

In some cases the Customer Care Representative could request to have the parts returned to the factory for inspection before providing replacement parts. These parts must be shipped prepaid to the attention of the Customer Care Department with the following information enclosed:

1. Model and serial number of the unit.
2. A concise description of the problem ('broken' is not sufficient).
3. Proof of purchase (photocopy of the invoice).
4. Return Authorization Number - provided by the Customer Care Representative.

Before contacting customer care, please note that the following items are not covered by the warranty:

Costs for transportation, brokerage or export duties.

Labor costs for removal and reinstallation.

Costs for service calls to diagnose problems.

Discoloration of stainless steel parts.

Part failure due to lack of cleaning and maintenance, or use of improper cleaners (oven cleaner).



**CAUTION!** During unpacking and assembly we recommended you wear work gloves and safety glasses for your protection. Although we make every effort to make the assembly process as problem free and safe as possible, it is characteristic of fabricated steel parts that the edges and corners might be sharp and could cause cuts if handled incorrectly.



## ***Getting Started***

1. Remove all cart panels, hardware, and grill head from carton. Raise lid and remove any components packed inside. Use the parts list to ensure all necessary parts are included.
2. Do not destroy packaging until the grill has been fully assembled and operates to your satisfaction.
3. Assemble the grill where it is to be used, lay down cardboard or a towel to protect parts from being lost or damaged while assembling.
4. Most stainless steel parts are supplied with a protective plastic coating that must be removed prior to using grill.
5. Follow all instructions in the order that they are laid out in this manual.
6. Two people are required to lift the grill head onto the assembled cart.

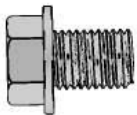
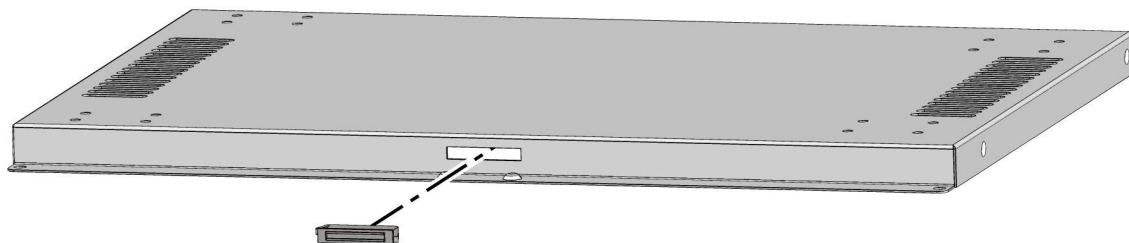
**If you have any questions about assembly or grill operation, or if there are damaged or missing parts please call our Customer Care Department at 1-866-820-8686 between 9 AM and 5 PM (Eastern Standard Time).**



1 X N430-0002

## Magnet Installation

Snap magnet into slot in front of bottom shelf.



16 x N570-0073 (1/4-20 X 3/8")



16 x N450-0027 (1/4-20)



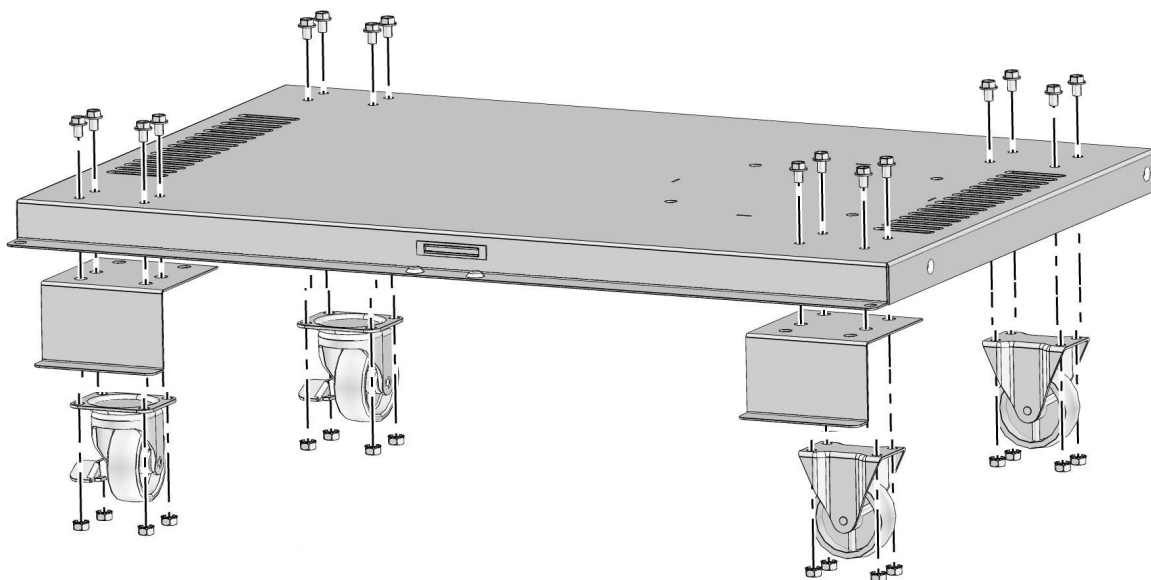
3/8"(10mm)



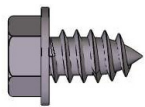
7/16"(11mm)

## Caster/Bracket Installation

Attach (4) casters using (4) 1/4-20 x 3/8" screws and (4) 1/4-20 lock nuts for each caster. Tighten securely.



non revolving caster- right side



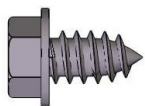
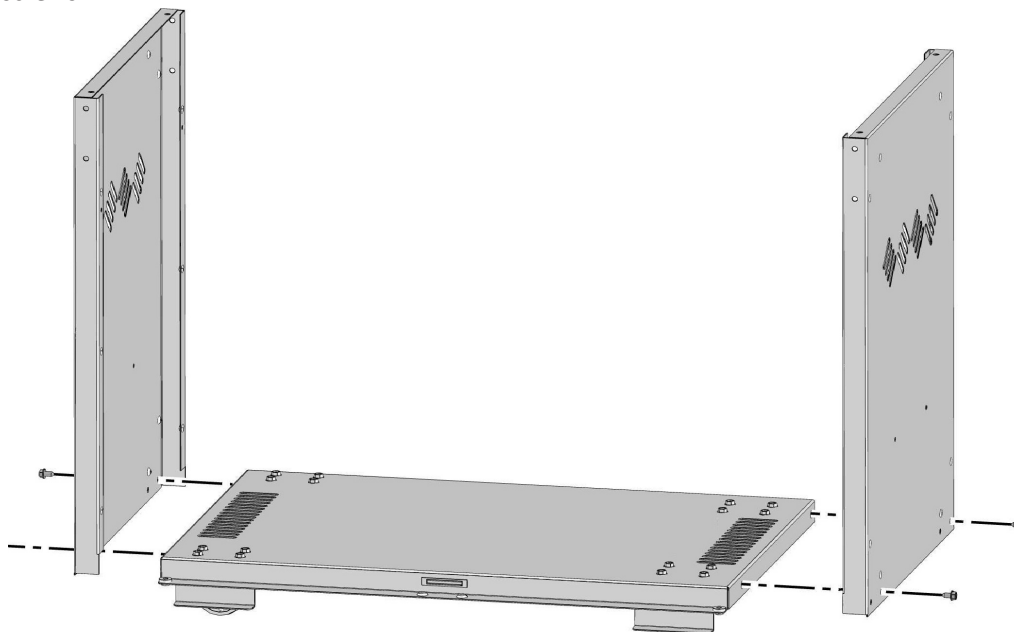
4 x N570-0080 (#14 x 1/2")



3/8"(10mm)

## Left and Right Cart Panel Installation

Install end cart panels ensuring slots in panel are to the top, rest panel on bottom shelf and line up holes. Fasten using (4) #14 x 1/2" screws.



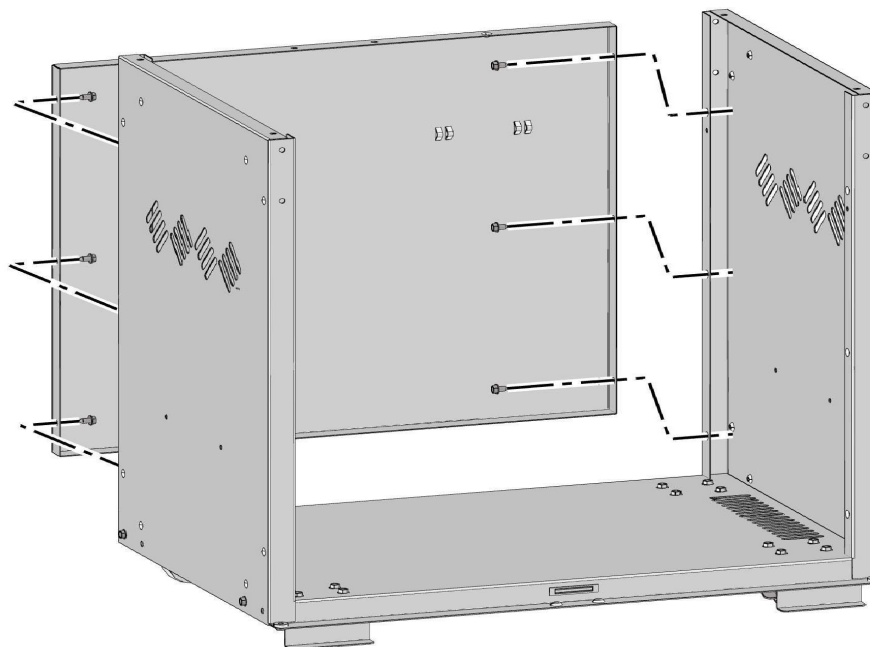
6 x N570-0080 (#14 x 1/2")

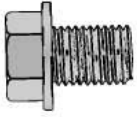


3/8"(10mm)

## Rear Cart Panel Installation

Fit rear cart panel between the two end panels. Fasten using (6) #14 x 1/2" screws, three on each side.





6 x N570-0073 (1/4-20 X 3/8")

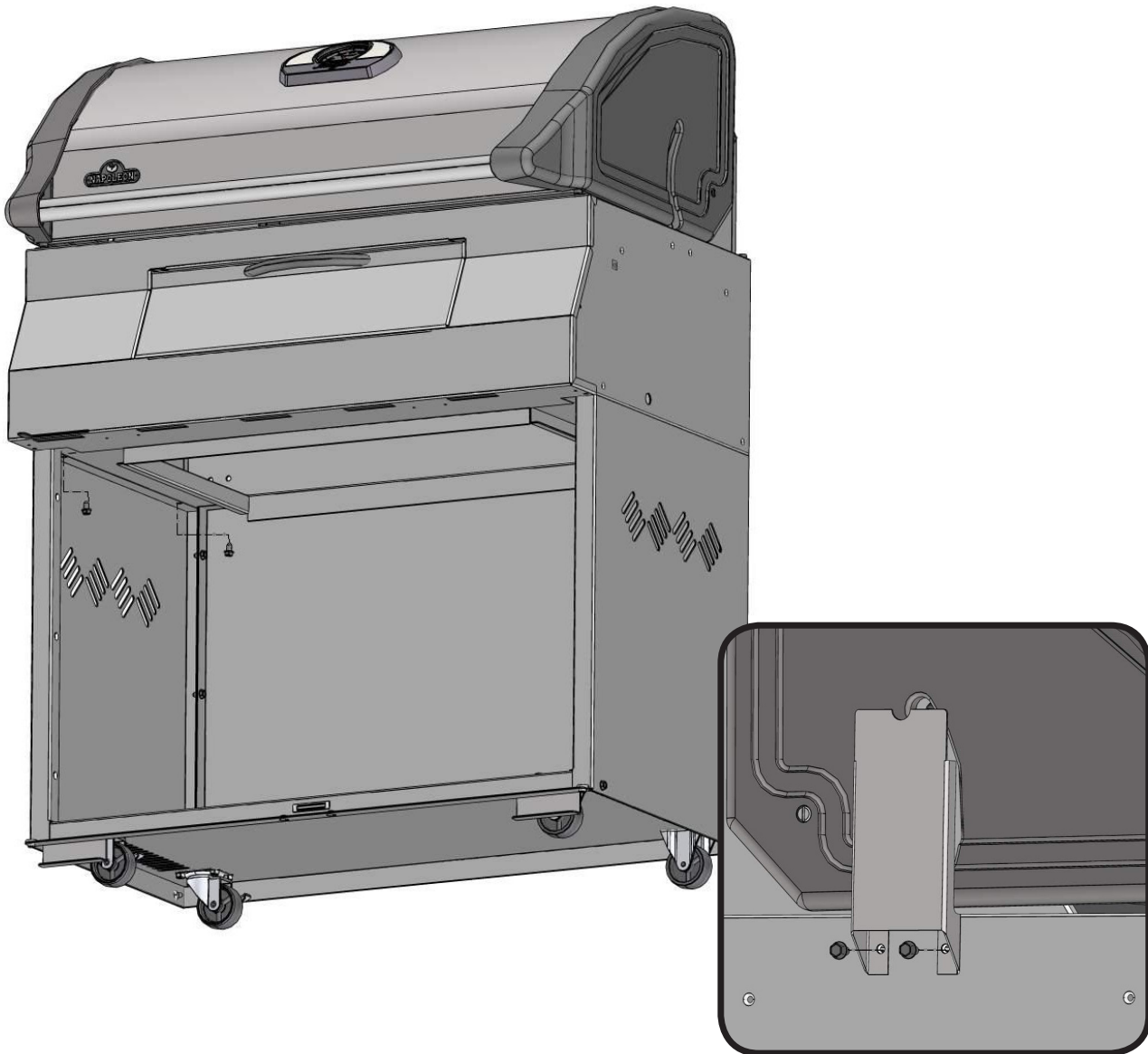


3/8" (10mm)

## Grill Head Installation

Lift grill head and place on assembled cart, lining up holes in top of side cart panels with holes in bottom of base. Fasten from inside using (4) 1/4-20 x 3/8" screws, two per side. Install rotisserie mount bracket to left side of grill as shown using (2) 1/4-20 x 3/8" screws.

**TWO PEOPLE ARE REQUIRED FOR THIS STEP**







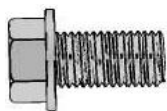
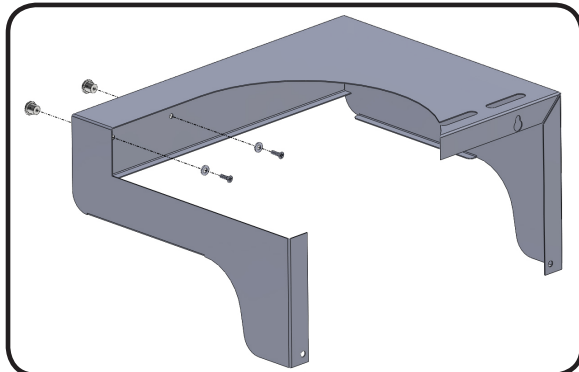
4 x N570-0088 (10-24 X 1/2")



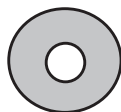
4 x N735-0007 (1/4")

## Tool Peg Installation

Fasten the supplied tool pegs to the side of each side shelf using (2) 10-24 X 1/2" screws and (2) 1/4" washers.



8 x N570-0082 (1/4-20 X 5/8")



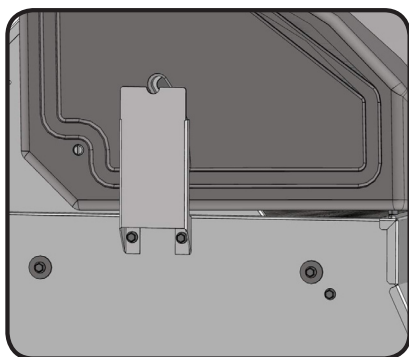
8 x N735-0001 (insulated washer)



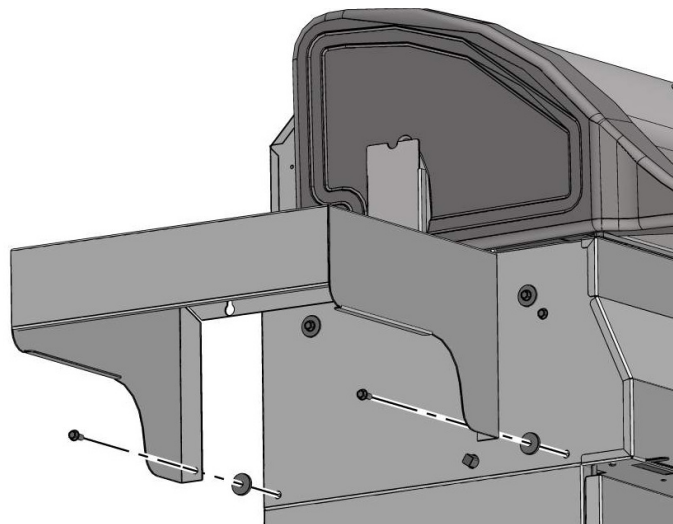
3/8" (10mm)

## Side Shelf Installation

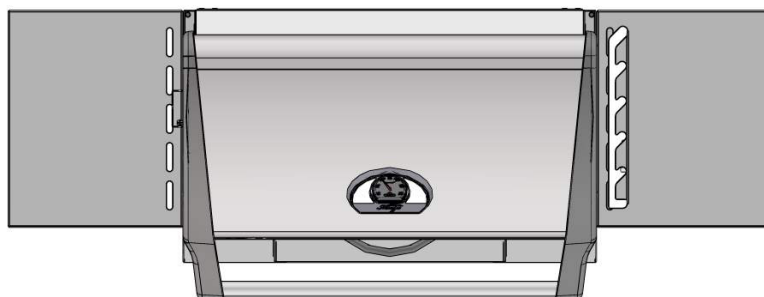
Insert (2) 1/4-20 x 5/8" screws through washers into the top holes in side of base, do not tighten all the way. Slide side shelf over screw heads. Align bottom holes in side shelf with bottom holes in base, place remaining washers between side shelf and base as shown. Insert remaining screws through side shelf into base and finish tightening all screws.

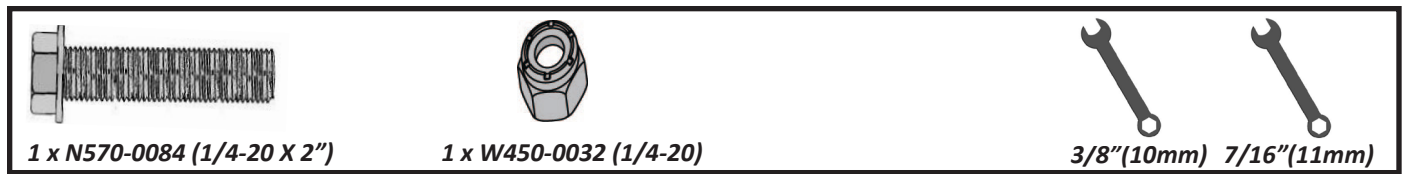


LEFT SHELF



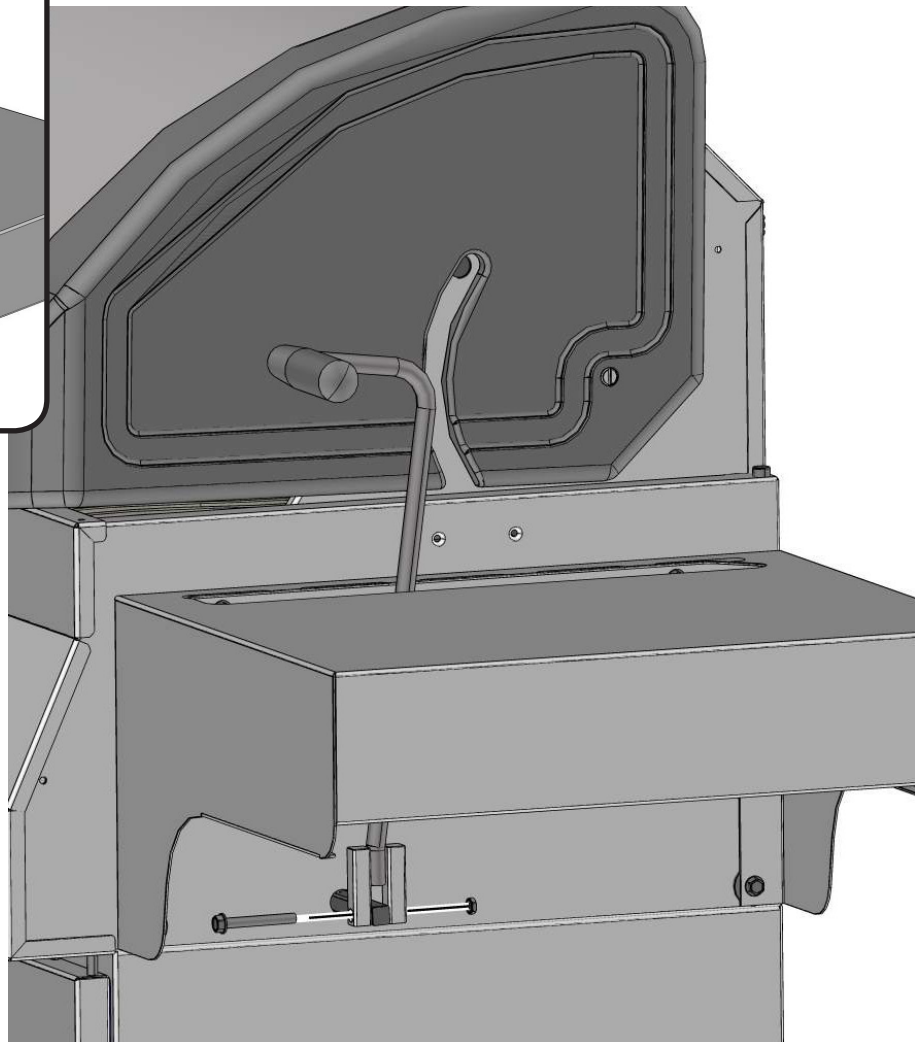
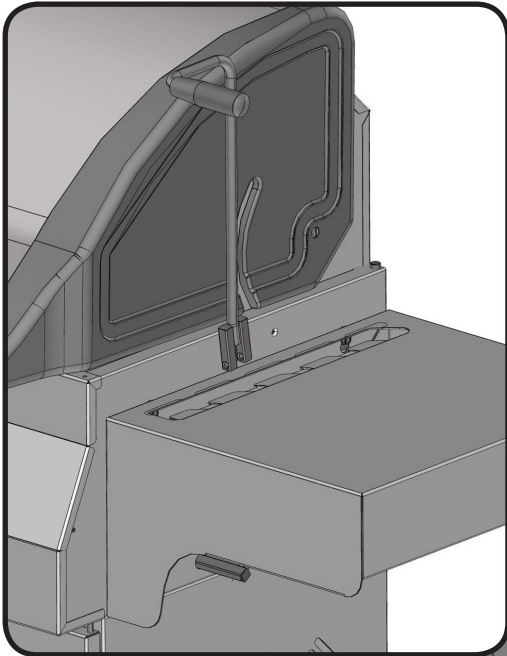
RIGHT SHELF

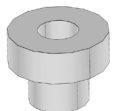




## Handle Installation Charcoal Tray Adjustment

Insert handle through slot in side shelf as shown. Fit over shaft protruding from base. Align holes and secure with (1) 1/4-20 x 2" screw and (1) 1/4-20 locking nut.

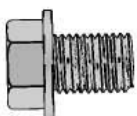
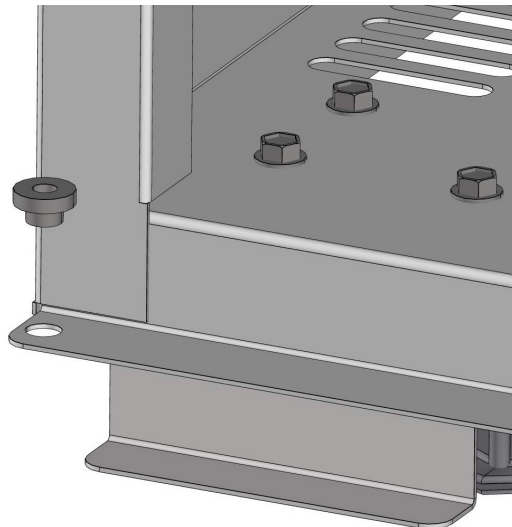




2 x N105-0011

## Bushing Installation

Insert bushing into either end of bottom shelf.



4 x N570-0073 (1/4-20 X 3/8")



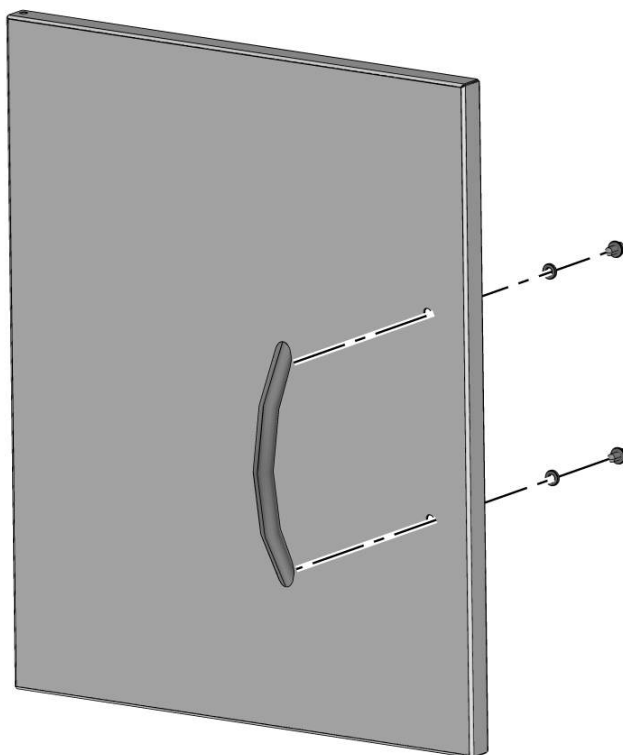
4 x N735-0003 (1/4")



3/8" (10mm)

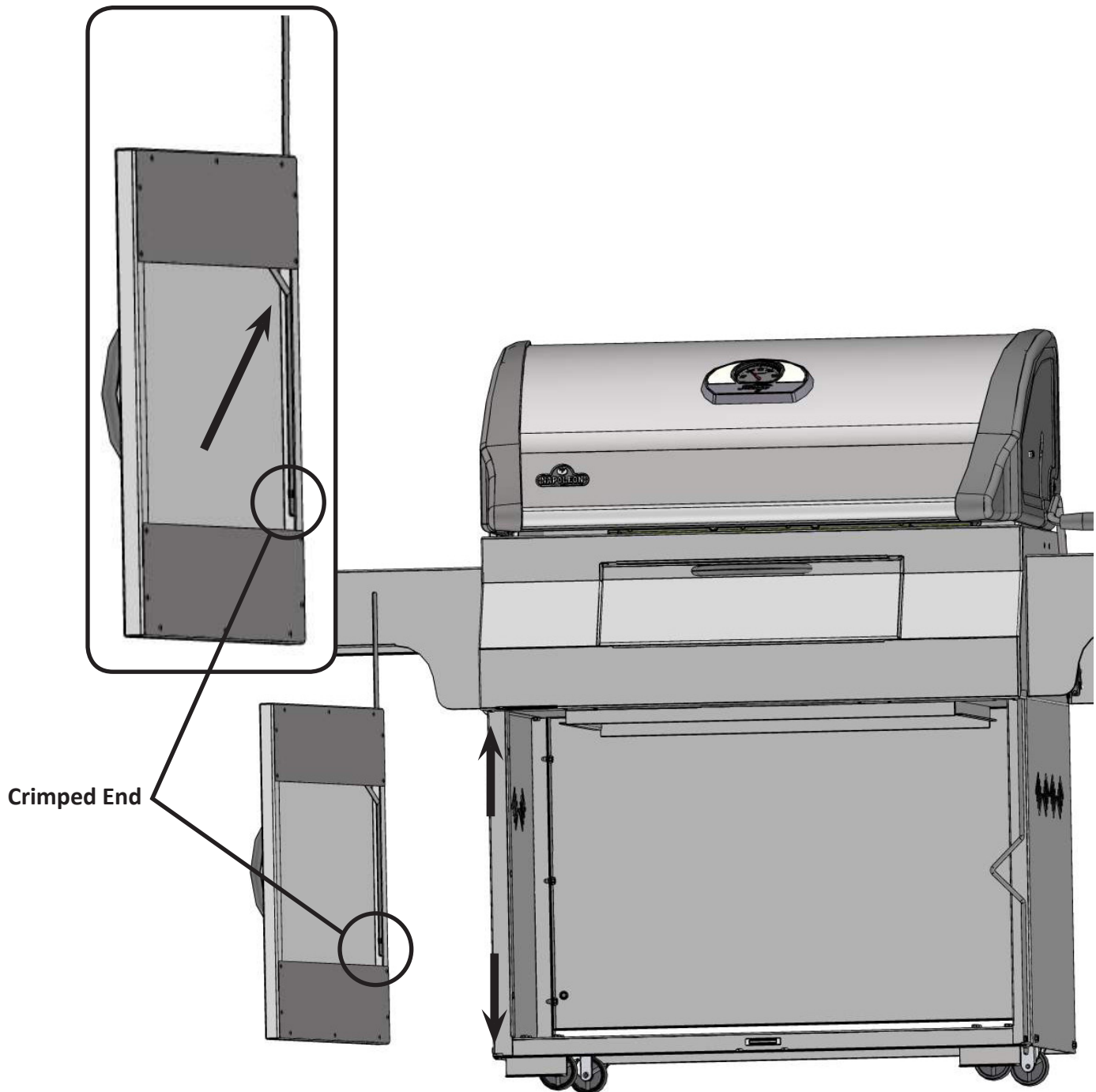
## Door Handle Installation

Install door handle onto front of door using (2) 1/4-20 x 3/8" screws and (2) 1/4" washers per door.



## Cabinet Door Installation

Insert pivot rod (crimped end down) through hole on inside top of door. Holding door in one hand, direct pivot rod into hole in underside of front panel. Once secure, let rod slide down and through hole in bottom of door and into bushing in bottom shelf.



## Ash Tray / Drip Pan Installation

Slide drip pan into front of base as shown. Ensure drip pan rides along rails on bottom of base.

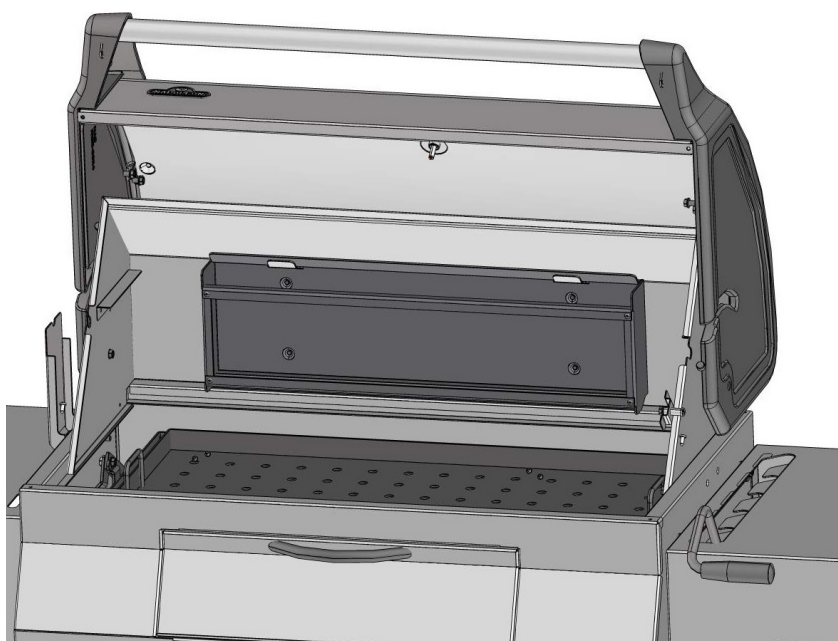


## Rear Chamber Installation (Rotisserie Burner)



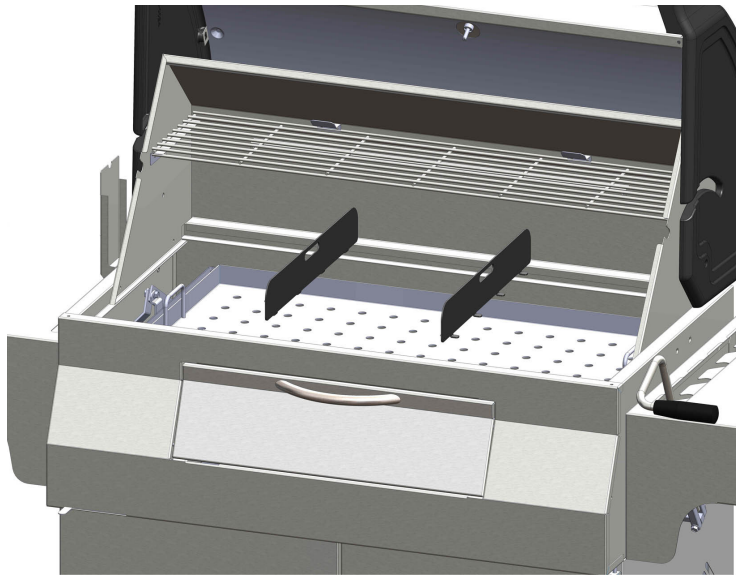
**WARNING!** Only Install rear chamber when using.

Slide rear chamber over brackets on inside of hood as shown.



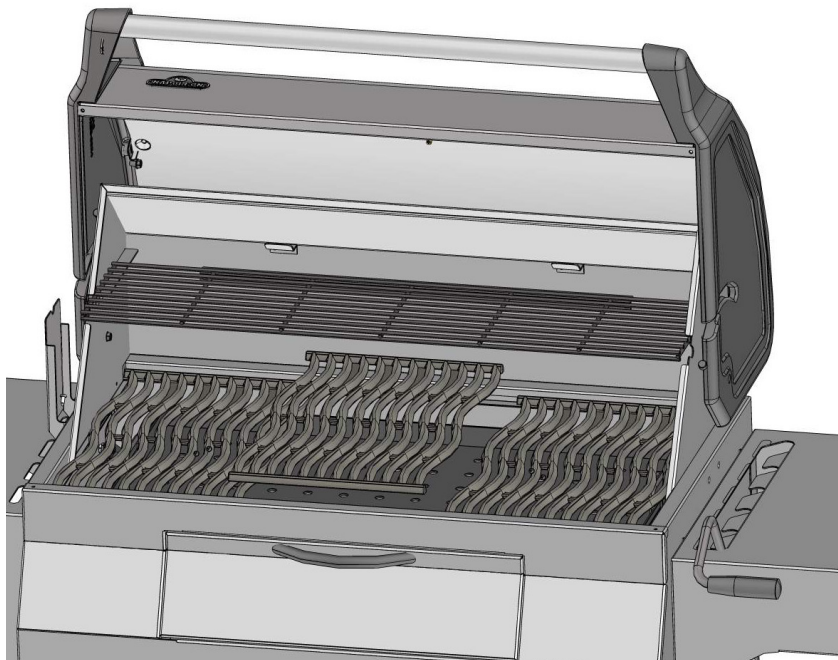
## Charcoal Divider Installation (Indirect Cooking)

Engage the charcoal dividers into the charcoal tray as illustrated.



## Grid and Warming Rack Installation.

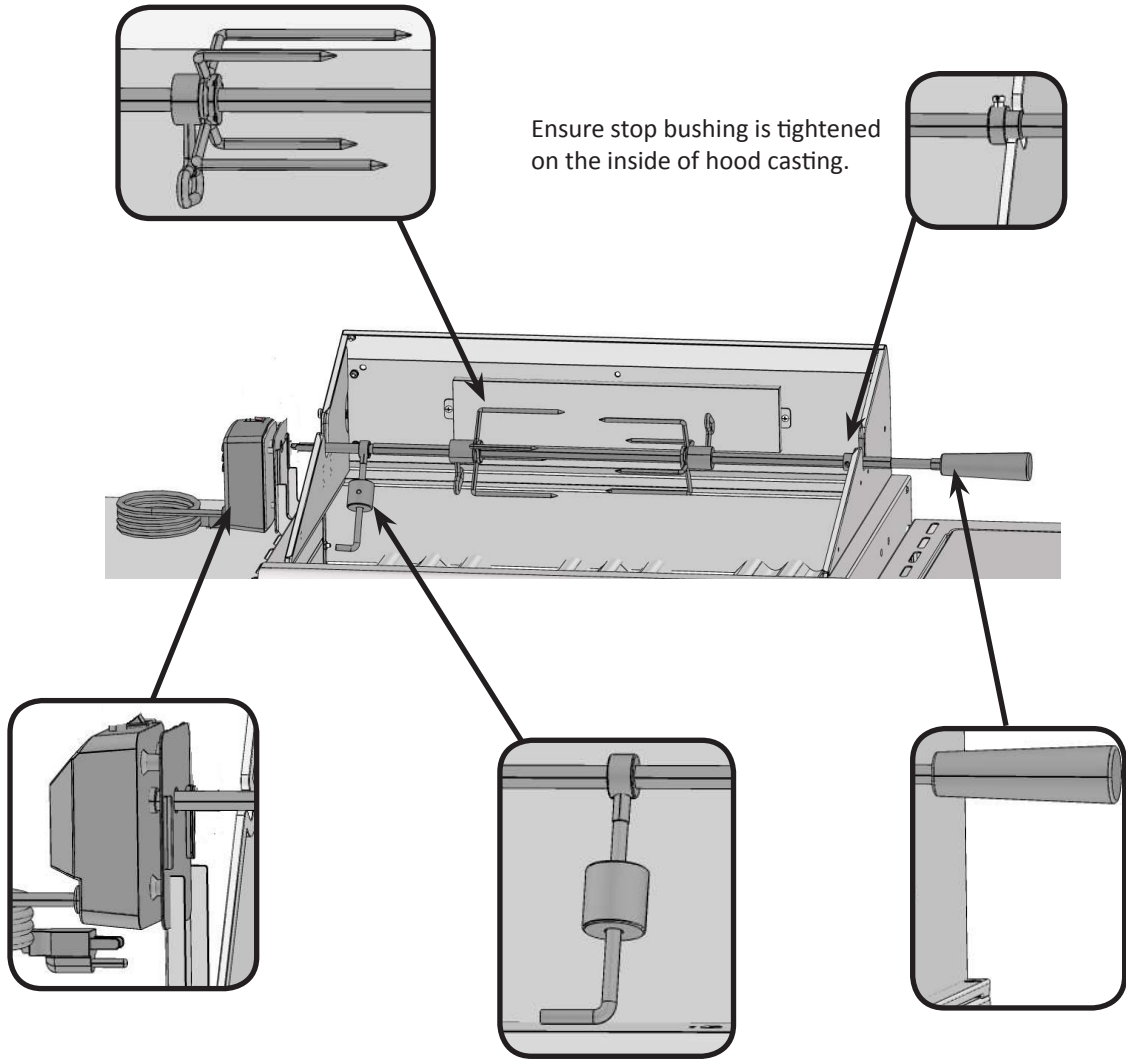
Rest warming rack on brackets inside hood, and insert grids into unit so they sit on back and front lip of base.







# Rotisserie Kit Installation (optional)



## Parts List

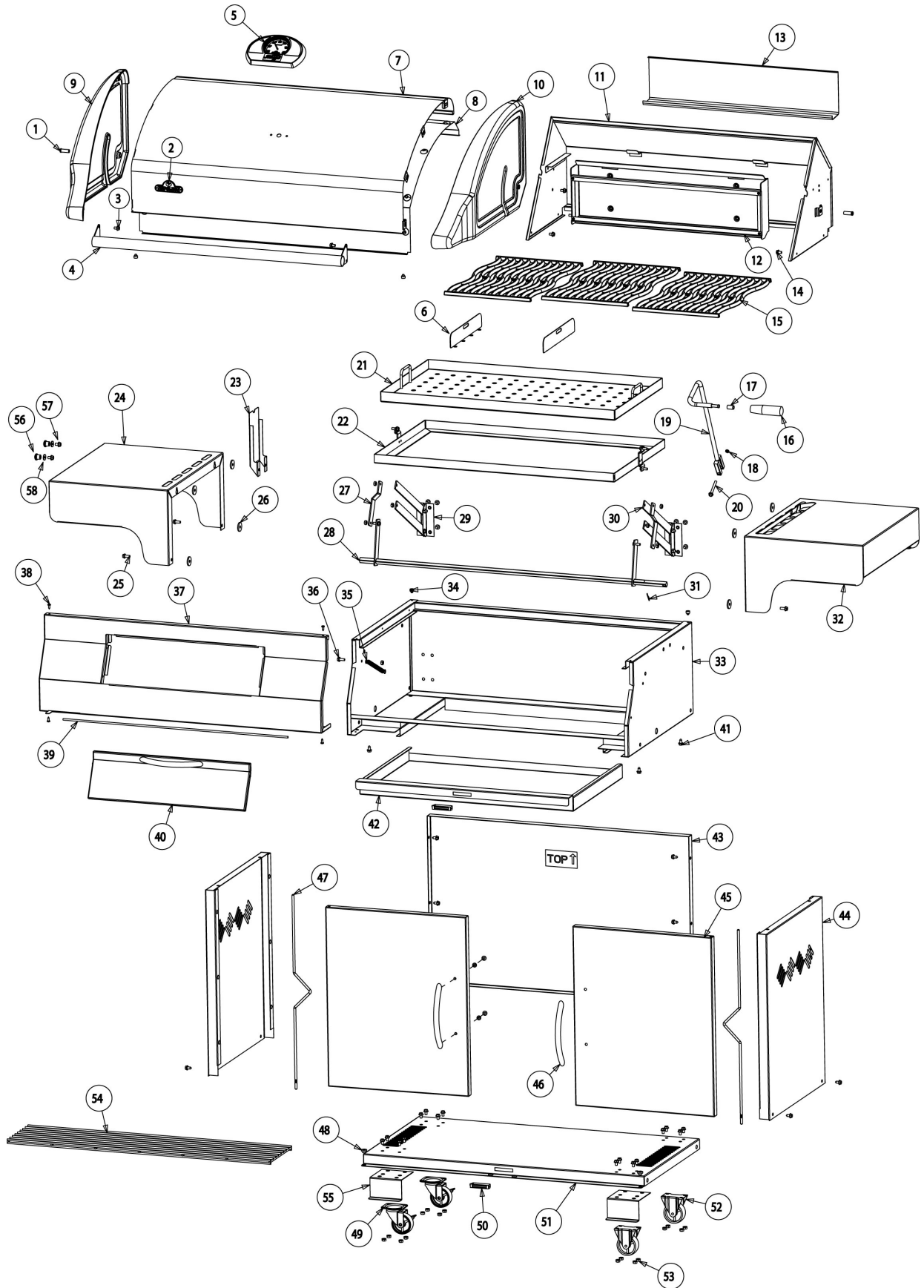
Item	Part #	Description	605
1	N570-0015	lid pivot screw	x
2	N385-0129	NAPOLEON logo	x
	W450-0005	logo spring clips	x
	N510-0010	black silicone lid bumper	x
3	N570-0073	1/4-20 x 3/8" screw	x
4	N010-0517	lid handle	x
5	N685-0005	temperature gauge	x
6	N500-0048BK1HT	plate charcoal separator	x
7	N335-0044L	stainless steel lid insert	x
8	N585-0042	heat shield lid	x
9	N135-0024K	left side lid casting	x
10	N135-0025K	right side lid casting	x
11	N010-0553	hood assembly	x
12	N010-0550P	rear burner assembly	x
13	N565-0005	rear burner screen	x
14	N570-0008	#8 x 1/2" screw	x
15	N305-0064	cooking grids - cast iron	x
16	N325-0054	handle outer charcoal tray lever	x
17	N540-0004	snap ring	x
18	W450-0032	locking nut 1/4-20	x
19	N010-0555	handle assembly charcoal tray lever	x
20	N570-0084	1/4-20 x 2" screw	x
21	N010-0606P	charcoal tray assembly	x
22	N010-0551P	charcoal tray frame assembly	x
23	N475-0199-M06	rotisserie mount	x
24	N590-0166	stainless steel side shelf - left	x
25	N570-0082	1/4-20 x 5/8" screw	x
26	N735-0001	insulated washer	x
27	N080-0241P	bracket offset	x
28	N010-0552P	lever assembly	x
29	N080-0219	bracket rear arm	x
30	N655-0103P	support arm	x
31	N485-0012	cotter pin	x
32	N590-0167	stainless steel side shelf - right	x
33	N010-0549	base assembly	x
34	N510-0010	black silicone lid bumper	x
35	N630-0004	spring	x
36	N570-0082	1/4-20 x 5/8" screw	x
37	N010-0562	base front panel assembly	x
	N500-0042B	vent handle	x
38	N570-0013	#8 x 1/2" screw	x
39	N555-0034	pivot rod charcoal access door	x
40	N010-0554	charcoal access door assembly	x
41	N570-0082	1/4-20 x 3/8" screw	x
42	N710-0057P	ash tray / drip pan	x
43	N475-0214P	rear cart panel	x
44	N475-0213P	left and right cart panel	x
45	N010-0548	cart door assembly	x
46	N325-0048	door handle	x
	N570-0073	1/4-20 x 3/8" screw	x
	N735-0003	1/4" lockwasher	x
47	N555-0018	door pivot rod	x

## Parts List

Item	Part #	Description	605
48	N105-0011	door bushings	x
49	N130-0012	revolving caster	x
50	N430-0002	magnetic catch	x
51	N590-0165P	bottom shelf	x
52	N130-0013	non revolving caster	x
53	N450-0027	locking nut 1/4-20	x
54	N520-0024	warming rack	x
55	N080-0212P	stability bracket	x
56	N340-0006	tool hook side shelf	x
57	N570-0088	screw 10-24 x 1/2"	x
58	N735-0007	1/4" washer	x
	N370-0454	rotisserie kit	ac
	N555-0021	rotisserie spit	ac
	63605	vinyl cover	ac
	56017	stainless steel griddle	ac

x - standard

ac - accessory





**FAX TO: 705 727 4282**

# ACCESSORIES & PARTS ORDER FORM

PLEASE PRINT CLEARLY

CONTACT NAME: \_\_\_\_\_

SHIP TO : \_\_\_\_\_

\_\_\_\_\_

\_\_\_\_\_

\_\_\_\_\_

TEL : \_\_\_\_\_

FAX : \_\_\_\_\_

EMAIL: \_\_\_\_\_

VISA OR MASTERCARD # : \_\_\_\_\_

EXPIRY DATE: \_\_\_\_\_

SIGNATURE: \_\_\_\_\_

QUANTITY	PART NUMBER	DESCRIPTION

TAXES MAY APPLY  
SHIPPING EXTRA





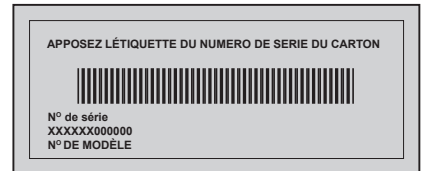
## MANUEL D'ASSEMBLAGE, D'UTILISATION ET D'ENTRETIEN

CE GRIL DOIT ÊTRE UTILISÉ UNIQUEMENT À L'EXTÉRIEUR DANS UN ENDROIT BIEN AÉRÉ  
CONSERVEZ CE MANUEL POUR CONSULTATION ULTÉRIEURE

# GRILL AU CHARBON DE BOIS POUR L'EXTÉRIEUR



LE GRIL DU GOURMET



## M605RBCSS

MIRAGE 605 CHARCOAL GRILL



### AVERTISSEMENT

*Ne tentez pas d'allumer cet appareil avant d'avoir lu les instructions d'allumage de ce manuel.*



### DANGER

*La combustion du charbon de bois dégage du monoxyde de carbone. Ne faites pas brûler de charbon de bois dans une maison, un garage, une tente, un véhicule ou dans un endroit clos.*



**AVERTISSEMENT!** Si ces instructions ne sont pas suivies à la lettre, un incendie pourrait s'ensuivre, causant des blessures graves ou la mort.

Napoleon Appliance Corp.,

214 Bayview Dr, Barrie, Ontario, Canada L4N 4Y8 Phone: (705)726-4278

Fax: (705)725-2564 email: [wecare@napoleonproducts.com](mailto:wecare@napoleonproducts.com) web site: [www.napoleongrills.com](http://www.napoleongrills.com)

# MERCI D'AVOIR CHOISI NAPOLÉON

Les produits NAPOLÉON sont conçus avec des composants et des matériaux de qualité supérieure, assemblés par des artisans qualifiés qui sont fiers de leur travail. Ce gril a été soigneusement inspecté par un technicien qualifié avant d'être emballé et expédié pour garantir que vous, le client, recevez le produit de qualité dont vous vous attendez de NAPOLÉON.

Chez Napoléon, notre priorité c'est vous, cher client. Notre objectif est de vous fournir les outils nécessaires pour rendre inoubliable cette expérience de cuisson sur le gril. Ce manuel vous est fourni pour vous aider lors de l'assemblage, l'installation et l'entretien de votre nouveau gril. Il est important de lire et de comprendre ce manuel en entier avant d'utiliser votre nouveau gril afin de vous assurer de bien comprendre toutes les consignes de sécurité et toutes les caractéristiques de votre gril. En suivant attentivement les instructions de ce manuel, vous profiterez de votre gril pendant de nombreuses années, et ce, sans tracas. Si nous ne répondons pas à vos attentes pour quelque raison que ce soit, veuillez contacter notre département du service aux consommateurs au 1-866-820-8686 entre 9 h et 17 h (heure normale de l'Est) ou visitez notre site Web.



## GARANTIE À VIE LIMITÉE DU PRÉSIDENT DES GRILS NAPOLÉON

NAPOLÉON garantit votre nouveau gril contre tous défauts concernant les matériaux et la fabrication tant et aussi longtemps que vous êtes propriétaire du gril. Cette garantie couvre : la fonte d'aluminium (excluant la peinture), les roues, les boutons de contrôle, les appliqués pour couvercle en acier inoxydable et les poignées de couvercle, sous réserve des conditions suivantes. Pendant les cinq premières années, NAPOLÉON fournira gratuitement les pièces de rechange selon son choix. De la sixième année à vie, NAPOLÉON fournira les pièces de rechange à 50 % du prix de détail courant.

Les composants tels que les grilles de cuisson en fonte, les mécanismes de lavage et les jauges de température sont couverts et NAPOLÉON fournira les pièces gratuitement durant les deux premières années de la garantie limitée.

Tous les autres composants tels que les roulettes, les grilles de réchaud, les pièces d'assemblage et les accessoires sont couverts et NAPOLÉON fournira les pièces gratuitement durant la première année de la garantie limitée.

NAPOLÉON n'assumera aucuns frais d'expédition, de main-d'oeuvre ou de taxes d'exportation.

## CONDITIONS ET LIMITATIONS

« NAPOLÉON garantit ses produits contre les défauts de fabrication à l'acheteur d'origine seulement, à condition que l'achat ait été fait par l'entremise d'un détaillant autorisé NAPOLÉON et sous réserve des conditions et limitations suivantes. »

Cette garantie du fabricant n'est pas transférable et ne peut être prolongée ou étendue par aucun de nos représentants quelle qu'en soit la raison.

Le gril doit être installé par un installateur ou entrepreneur qualifié. L'installation doit être faite conformément aux instructions d'installation incluses avec le produit et à tous les codes d'incendie et de construction locaux et nationaux.

Cette garantie limitée ne couvre pas les dommages causés par un mauvais usage, un manque d'entretien, des feux de graisse, un environnement inadéquat, un accident, des altérations, des abus ou de la négligence, et l'installation de pièces d'autres fabricants annulera cette garantie.

Cette garantie limitée ne couvre pas non plus les égratignures, les bossellements, les surfaces peintes, la corrosion ou la décoloration causés par la chaleur ou les produits d'entretien chimiques et abrasifs, ni l'écaillage des pièces en porcelaine émaillée ni les composants utilisés dans l'installation du gril.

Dans le cas d'une détérioration des composants causant un mauvais fonctionnement de l'appareil pendant la période couverte par la garantie, les pièces de rechange seront fournies par Napoléon.

Au cours de la première année seulement, cette garantie s'étend à la réparation ou au remplacement des pièces garanties dont les matériaux ou la fabrication sont défectueux sous condition que le produit ait été utilisé conformément aux instructions de fonctionnement et dans des conditions normales.

Après la première année, concernant cette Garantie à Vie Limitée du Président, NAPOLÉON peut, à sa discrétion, se libérer entièrement de toutes obligations concernant cette garantie en remboursant à l'acheteur d'origine le prix de gros de toute pièce garantie qui est défectueuse.

NAPOLÉON ne sera pas responsable de l'installation, de la main-d'oeuvre ou autres coûts ou dépenses relatives à la réinstallation d'une pièce garantie, et de telles dépenses ne sont pas couvertes par cette garantie.

Nonobstant toutes les dispositions contenues dans cette Garantie à Vie Limitée du Président, la responsabilité de NAPOLÉON sous cette garantie est définie comme ci-dessus et elle ne s'appliquera à aucun dommage accidentel, consécutif ou indirect.

Cette garantie définit les obligations et les responsabilités de NAPOLÉON concernant le gril NAPOLÉON; toutes autres garanties exprimées ou implicites concernant ce produit, ses composants ou accessoires sont exclues.

NAPOLÉON n'endosse ni n'autorise aucun tiers à assumer en son nom toute autre responsabilité concernant la vente de ce produit. NAPOLÉON ne sera pas responsable d'une surchauffe, de l'extinction du brûleur causée par des conditions environnementales telles que des vents forts ou une ventilation inadéquate.

Tous dommages causés au gril par les intempéries, la grêle, un usage abusif ou l'utilisation de produits chimiques ou de produits d'entretien nuisibles ne seront pas la responsabilité de NAPOLÉON.

La facture ou sa copie sera requise ainsi que le numéro de série et de modèle du gril lors d'une réclamation auprès de NAPOLÉON.

NAPOLÉON se réserve le droit de demander à son représentant d'inspecter tous produits ou pièces avant d'honorer toute réclamation.

NAPOLÉON n'assumera aucuns frais de transport, de main-d'oeuvre ou taxes d'exportation.



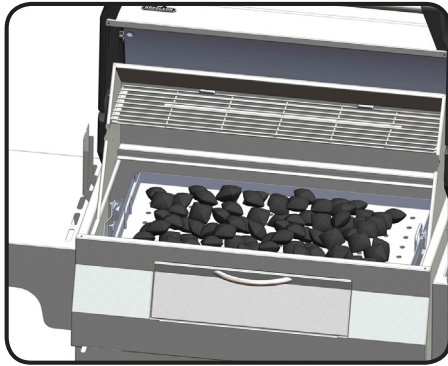
**AVERTISSEMENT!** Si ces instructions ne sont pas suivies, des dommages matériels, des blessures corporelles ou des pertes de vie pourraient s'ensuivre. Lisez et respectez tous les avertissements et les instructions de ce manuel avant de faire fonctionner le gril.

## Pratiques Sécuritaires D'utilisation

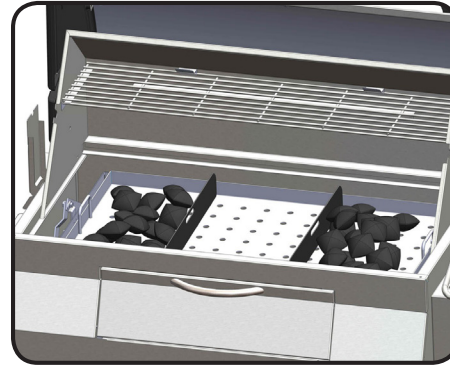
- Lisez le manuel d'instructions en entier avant d'utiliser le gril.
- Ce gril ne devra être modifié en aucun cas.
- Suivez attentivement les instructions d'allumage lorsque vous faites fonctionner le gril.
- N'allumez pas les charbons de bois avec le couvercle fermé.
- Ne vous penchez pas au-dessus du gril lors de l'allumage.
- Avant d'allumer le compartiment arrière (brûleur arrière), il doit être positionné sur les supports à l'intérieur de la hotte.
- N'employez pas d'essence, d'alcool ou d'autres liquides volatiles pour allumer les charbons de bois.
- Utilisez UNIQUEMENT de l'allume-briquettes liquid approuvé. Avant d'allumer les briquettes, assurez-vous de bien essuyer tout liquide qui s'est écoulé par la base du gril.
- N'ajoutez jamais d'allume-briquettes liquide sur des briquettes chaudes ou tièdes.
- Après utilisation et avant l'allumage, le contenant d'allume-briquettes liquide doit être refermé et entreposé à une distance sécuritaire du gril, au moins 25 pieds.
- Tenez les enfants et les animaux éloignés du gril chaud. NE LAISSEZ PAS les enfants grimper dans le cabinet.
- Ne laissez pas le gril sans surveillance lorsqu'il est utilisé.
- Ne pas déplacer le gril pendant qu'il fonctionne ou qu'il est chaud.
- Ce gril ne doit pas être installé dans ou sur des véhicules récréatifs et/ou des bateaux.
- Ce gril doit être utilisé uniquement à l'extérieur, dans un endroit bien aéré et ne doit jamais être utilisé à l'intérieur d'un bâtiment, d'un garage, d'une veranda avec paramoustique, d'un gazebo ou tout autre endroit fermé.
- Respectez les dégagements recommandés aux matériaux combustibles (16" à l'arrière du gril et 7" sur les côtés). Ces mêmes dégagements sont aussi recommandés à proximité d'un recouvrement de vinyle ou d'une grande surface vitrée.
- En tout temps, gardez les ouvertures d'aération du cabinet libres et exemptes de débris.
- N'ajustez pas le bac à charbon de bois avec vos mains à l'intérieur du gril. En tout temps, garder les mains et les doigts éloignés des mécanismes de levage.
- Ne placez pas le gril sous une construction combustible non protégée.
- Ne pas utiliser ce gril sous une installation couverte comme une couverture, un abri d'auto, un auvent ou tout ouvrage en surplomb.
- N'installez pas le gril dans un endroit venteux. Les vents forts nuiront à la performance de cuisson de votre gril.
- Le couvercle doit être fermé lors de la période de préchauffage du gril.
- Le tiroir d'égouttement et à cendres doit être installé lors de l'utilisation du gril.
- Nettoyez régulièrement le tiroir d'égouttement et à cendres pour empêcher les accumulations qui pourraient causer des feux de graisse.
- N'utilisez pas les tablettes latérales pour entreposer des briquets, des allumettes ou autres matériaux inflammables.
- En tout temps, le gril doit être sur une surface de niveau.
- Pour éviter d'endommager le fini de votre gril, n'utilisez pas d'eau pour contrôler les poussées de flamme ou pour éteindre les briquettes.
- Pour contrôler les poussées de flammes, fermez un peu les portes d'alimentation en air du gril. Pour éteindre complètement les briquettes ou un feu, fermez entièrement toutes les portes d'alimentation en air et le couvercle.
- Utilisez des ustensiles de cuisson appropriés avec de longs manches résistant à la chaleur.
- Utilisez des gants pour le gril ou des sous-plats pour protéger vos mains lors de la cuisson ou du réglage des portes d'alimentation en air.
- N'enlevez pas les cendres du gril avant que les briquettes soient complètement brûlées et éteintes. Laissez-les refroidir suffisamment.
- Enlevez les briquettes et les cendres, entreposez-les dans un contenant en métal incombustible et laissez reposer 24 heures avant de les jeter.
- Tenez les cordons d'alimentation électriques loin de l'eau et des surfaces chaudes.
- Utilisez toujours ce gril en conformité avec les codes locaux.
- **Proposition 65 De La Californie:** La combustion charbon de bois crée des sous-produits, parmi lesquels certains se retrouvent sur la liste de substances connues par l'état de Californie comme causant le cancer ou autres dangers pour la reproduction. Lorsque vous cuisinez avec le charbon de bois, assurez-vous de toujours avoir une ventilation adéquate afin de minimiser l'exposition à ces substances.

# Instruction D'allumage

## CUISSON DIRECTE



## CUISSON INDIRECTE



### Utilisation des briquettes

Méthode de cuisson	Briquettes recommandées
Cuisson directe	100
Cuisson indirecte	50 par côté * (en ajouter 16 de chaque côté pour chaque heure de cuisson supplémentaire)

\* Les recommandations relatives aux briquettes sont approximatives. Un temps de cuisson plus long requiert plus de briquettes. En outre, les températures plus froides et la présence de vent feront en sorte qu'il faudra plus de briquettes pour atteindre les températures de cuisson idéales.



**AVERTISSEMENT!** Ouvrez le couvercle.

**AVERTISSEMENT!** Installez le gril à l'extérieur sur une surface solide, à niveau et incombustible. N'utilisez jamais le gril sur une surface en bois ou toute autre surface combustible.

**AVERTISSEMENT!** Ne vous penchez pas au-dessus du gril lors de l'allumage.

**AVERTISSEMENT!** Le récipient à cendres doit être en place lors de l'allumage et en tout temps durant l'utilisation.

ALLUMAGE DU COMPARTIMENT PRINCIPAL MÉTHODE DE CUISSON DIRECTE	ALLUMAGE DU COMPARTIMENT PRINCIPAL MÉTHODE DE CUISSON INDIRECTE	ALLUMAGE DU COMPARTIMENT ARRIÈRE (BRÛLEUR ARRIÈRE)
1. Ouvrez complètement la porte d'alimentation en air sur la base. Ouvrez le couvercle du gril et enlevez les grilles de cuisson.	1. Ouvrez complètement la porte d'alimentation en air sur la base. Ouvrez le couvercle du gril et enlevez les grilles de cuisson.	1. Ouvrez complètement la porte d'alimentation en air sur la base.
2. Nettoyez le récipient à cendres ayant été utilisé précédemment puis réinstallez-le.	2. Nettoyez le récipient à cendres ayant été utilisé précédemment puis réinstallez-le.	2. Nettoyez le récipient à cendres ayant été utilisé précédemment puis réinstallez-le.
3. Utilisez la cheminée d'allumage Ultrachef (non comprise) en suivant les instructions fournies dans le manuel, ou placez des cubes d'allumage ou du papier journal légèrement chiffonné dans le bac à charbon de bois. Empilez les briquettes en forme de cône, dans le centre de l'unité, sur le journal ou sur les cubes d'allumage.	3. Placez un bac d'égouttement au centre du bac à charbon de bois. Insérez les séparateurs dans le bac à charbon de bois, de chaque côté du bac d'égouttement. Utilisez la cheminée d'allumage Ultrachef (non comprise) en suivant les instructions fournies dans le manuel, ou placez des cubes d'allumage ou du papier journal légèrement chiffonné dans la section externe des séparateurs. Placez les briquettes dans les sections externes, sur le journal ou sur les cubes d'allumage.	3. Placez des cubes d'allumage ou du papier journal légèrement chiffonné dans le panier à briquettes. Ne pas trop remplir. Retirez la grille de réchaud. Avant d'allumer, assurez-vous que le compartiment arrière est en place, accroché sur les supports du couvercle.
4. Allumez le papier journal ou les cubes d'allumage. Une fois les briquettes bien allumées, fermez le couvercle et laissez-les brûler jusqu'à ce qu'elles soient recouvertes d'une cendre légèrement grise (environ 20 minutes).	4. Allumez le papier journal ou les cubes d'allumage. Une fois les briquettes bien allumées, fermez le couvercle et laissez-les brûler jusqu'à ce qu'elles soient recouvertes d'une cendre légèrement grise (environ 20 minutes).	4. Allumez le papier journal ou les cubes d'allumage. Une fois les briquettes bien allumées, fermez le couvercle et laissez-les brûler jusqu'à ce qu'elles soient recouvertes d'une cendre légèrement grise (environ 20 minutes).
5. Avec des pinces à long manche résistantes à la chaleur, étalez les briquettes pour couvrir uniformément tout le bac à charbon de bois.		5. Avec des pinces à long manche résistantes à la chaleur, étalez les briquettes uniformément.



**AVERTISSEMENT!** Ne faites pas fonctionner le compartiment arrière lorsque le compartiment principal fonctionne.



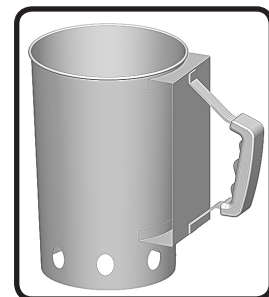
De l'allume-feu liquide peut être utilisé pour allumer les briquettes, mais n'est pas recommandé. Cela peut être salissant et peut laisser un goût chimique sur les aliments s'il n'a pas complètement brûlé avant la cuisson. Une fois les briquettes allumées, n'y ajoutez jamais d'autre allume-feu liquide. Gardez le flacon à une distance d'au moins 25 pieds (7,6 m) du gril en marche.



## Consignes de sécurité lors de l'utilisation de la cheminée d'allumage

### AVERTISSEMENT!

#### CHEMINÉE D'ALLUMAGE



- Pour utilisation à l'extérieur seulement.
- N'utilisez pas la cheminée d'allumage à moins qu'elle soit placée sur une grille à niveau et que le gril soit placé sur une surface solide, à niveau et incombustible.
- Ne placez pas la cheminée d'allumage sur une surface combustible à moins que celle-ci soit complètement refroidie.
- N'utilisez pas d'essence à briquet, d'essence ni de briquettes auto-allumantes dans la cheminée d'allumage.
- Utilisez uniquement la cheminée d'allumage pour allumer des briquettes pour les grils au charbon de bois.
- Portez toujours des gants protecteurs lorsque vous manipulez la cheminée d'allumage.
- En tout temps, gardez les enfants et les animaux éloignés de la cheminée d'allumage.
- N'utilisez pas la cheminée d'allumage lorsqu'il y a de grands vents.
- Ne laissez pas la cheminée d'allumage en marche sans surveillance.
- Ne vous penchez pas au-dessus de la cheminée d'allumage lors de l'allumage.
- N'utilisez jamais la cheminée d'allumage pour d'autres fins que celles prévues. N'utilisez pas la cheminée d'allumage pour cuire des aliments.
- Soyez extrêmement prudent lorsque vous versez les briquettes chaudes de la cheminée d'allumage.

## Utilisation de la cheminée d'allumage

- Tournez la cheminée d'allumage à l'envers.
- Chiffonnez deux feuilles complètes de papier journal et placez-les dans le fond de la cheminée d'allumage.
- Replacez la cheminée d'allumage à l'endroit et placez-la au centre de la grille à charbon de bois.
- Ajoutez la quantité appropriée de briquettes sans trop remplir.
- Allumez une allumette et insérez-la dans l'un des événements situés dans le bas afin d'allumer le papier journal.
- Lorsque les briquettes sont recouvertes d'une légère couche de cendres grises, mettez des gants protecteurs et versez soigneusement les briquettes chaudes sur la grille à charbon de bois (méthode de cuisson directe) ou dans les paniers à briquettes (méthode indirecte).
- Une fois les briquettes chaudes placées sur la grille, étalez-les uniformément à l'aide de pinces à long manche résistantes à la chaleur.

# Guide de Cuisson au Charbon de Bois

Le charbon de bois est la méthode traditionnelle de cuisson à l'infrarouge avec laquelle nous sommes le plus familier. Les briquettes incandescentes émettent de l'énergie infrarouge à l'aliment qui se fait cuire et ce, avec très peu d'assèchement. Les jus ou les huiles qui s'échappent des aliments tombent sur le charbon de bois et se vaporisent en fumée pour donner un délicieux goût grillé aux aliments. Le gril au charbon de bois de Napoléon® produit un rayonnement intense qui vous donnera des steaks, des viandes et des hamburgers plus juteux et plus savoureux. Pour connaître les temps de cuisson et certains conseils, consultez le tableau de cuisson.

Le tableau suivant n'est qu'à titre indicatif seulement. Les temps de cuisson sont influencés par des facteurs tels que l'altitude, la température extérieure, le vent et le degré de cuisson désiré. Pour saisir instantanément les aliments, le bac à charbon peut être installé à la position la plus élevée. Use a meat thermometer to ensure foods are adequately cooked.

## Tableau de Cuisson au Charbon de Bois

ALIMENT	CUISSON DIRECTE OU INDIRECTE	TEMPS DE CUISSON	SUGGESTIONS
Bifteck 1" d'épaisseur	Cuisson directe	6 à 8 min. à Cuisson directe chaleur moyenne	Lorsque vous choisissez votre viande, demandez une viande qui est marbrée. Le gras de la viande agira comme un élément attendrissant durant la cuisson et gardera la viande plus juteuse.
Burger ½" d'épaisseur	Cuisson directe	6 à 8 min. à chaleur moyenne	Pour terminer la cuisson de vos burgers tous en même temps, nous vous conseillons de varier l'épaisseur de vos galettes. Pour ajouter une saveur exotique à votre viande, ajoutez des copeaux de bois à saveur de hickory aux briquettes.
Morceaux de poulet	Cuisson directe approx. 2 min. par côté, puis cuisson indirecte pour les 18 à 20 min. restantes.	20 à 25 min.	L'articulation qui retient le pilon à la cuisse doit être coupée au 3/4 à partir du côté sans peau afin de permettre à la viande d'être plus à plat sur la grille de cuisson. Ceci permettra à la viande de cuire de façon plus uniforme et plus rapidement. Pour ajouter une touche personnelle à votre poulet, ajoutez des copeaux de bois à saveur de mesquite aux briquettes.
Côtelettes de porc	Cuisson directe	10 à 15 min.	Coupez l'excès de gras avant de faire cuire. Choisissez des côtelettes de porc plus épaisses pour obtenir une viande plus tendre.
Côtes levées	Cuisson directe pendant 5 min., cuisson indirecte pour terminer	1,5 à 2 heures, en tournant souvent	Choisissez des côtes bien charnues et maigres. Grillez jusqu'à ce que la viande se détache facilement des os.
Côtelettes d'agneau	Cuisson directe	25 à 30 min.	Coupez l'excès de gras avant de faire cuire. Choisissez des côtelettes très épaisses pour obtenir une viande plus tendre.
Saucisses	Cuisson directe	4 à 6 min.	Choisissez des saucisses plus grosses. Faites une entaille dans la peau, sur la longueur de la saucisse avant de faire griller.



# Instructions D'opération

**Éclairage initial:** Lorsqu'il est allumé pour la première fois, le grill dégagera une légère odeur. Ceci est un phénomène normal et temporaire causé par l'évaporation des peintures et lubrifiants internes utilisés dans le processus de fabrication et ne se reproduira plus. Il suffit de faire fonctionner le grill à température élevée pendant environ 30 minutes avec les portes d'alimentation en air de la base et du couvercle complètement ouvertes.



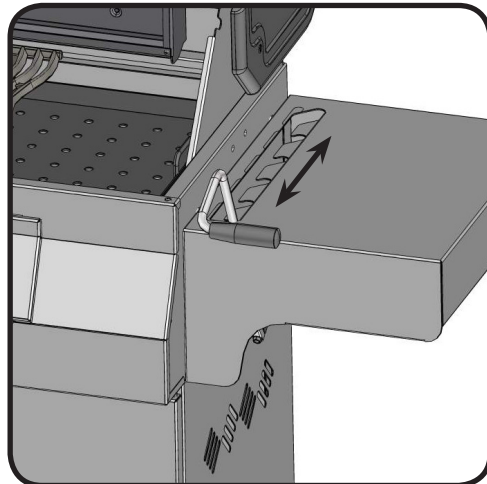
**AVERTISSEMENT!** N'ajustez pas le bac à charbon de bois avec vos mains à l'intérieur du grill. En tout temps, garder les mains et les doigts éloignés des mécanismes de levage.

**Utilisation du compartiment principal:** Le bac à charbon de bois peut être ajusté selon six réglages. Pour un rendement optimal, nous vous conseillons de le fixer à la position la plus élevée, soit le plus près possible des grilles de cuisson. Les températures peuvent être réduites en abaissant le bac pour l'éloigner des aliments et en fermant les portes d'alimentation en air.

Le préchauffage du grill est recommandé en le faisant fonctionner une vingtaine de minutes, le couvercle fermé. Les charbons de bois sont prêts lorsqu'ils sont légèrement couverts de cendre grise. Les aliments qui cuisent rapidement (poisson, légumes) peuvent être grillés avec le couvercle ouvert. La cuisson avec le couvercle fermé assurera des températures plus élevées et plus égales. Ceci réduira le temps de cuisson et les aliments seront cuits plus uniformément. Pour que les viandes très maigres, comme de la poitrine de poulet ou du porc maigre, collent moins lors de la cuisson, vous pouvez huiler les grilles avant de préchauffer le grill.

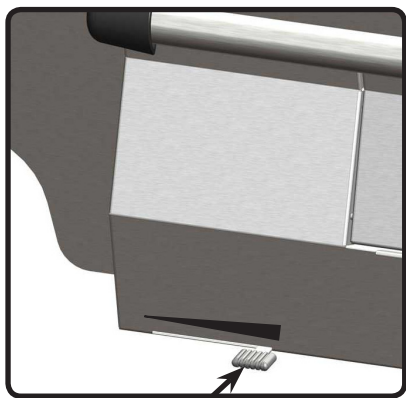
La cuisson de viandes très grasses peut causer des poussées de flamme. Pour les éviter, enlevez une partie du gras ou réduisez la température. Si une poussée de flamme survient, éloignez les aliments des flammes, réduisez la chaleur (en réduisant l'ouverture des portes d'alimentation en air). Laissez le couvercle ouvert. Règle générale, la cuisson de quatre livre de viande requiert approximativement une centaine de briquettes. Si la cuisson exige plus de 30 à 40 minutes, vous devrez ajouter d'autres briquettes. Lorsque le temps est venteux ou froid, vous devrez utiliser davantage de briquettes pour atteindre une température de cuisson idéale.

**Ajout De Briquettes En Cours De Cuisson:** Soyez prudent, car les briquettes peuvent s'embraser au contact de l'air. Ouvrez avec précaution la porte située sur le devant de la base. Pour ajouter d'autres briquettes, tenez-vous à une distance sécuritaire du grill et utilisez une pince à longs manches résistant à la chaleur.

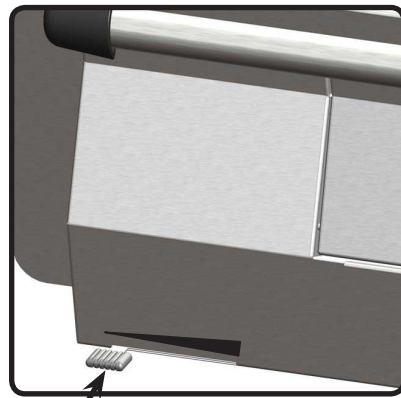


**AVERTISSEMENT!** N'ajoutez jamais d'allume-briquettes liquide sur des briquettes chaudes ou tièdes. Nul besoin d'ajouter de l'allume-briquettes liquide sur des charbons de bois déjà allumés.

**Fonctionnement des portes d'alimentation en air :** Les portes d'alimentation en air sur le couvercle doivent habituellement être ouvertes pour laisser l'air pénétrer dans le grill. L'air accroîtra la température de combustion des briquettes. Vous pouvez contrôler la température du grill en ajustant les portes d'alimentation en air. Pour ce faire, glissez les portes vers la droite ou la gauche. Fermer les portes, partiellement ou complètement, aidera à faire refroidir les briquettes. Ne fermez pas complètement les portes d'alimentation en air sur la base et le couvercle, à moins de vouloir refroidir les briquettes ou d'éteindre une flamme.



**OUVERT VENT**



**FERMÉ VENT**

**Utilisation Du Compartiment Arrière (Brûleur Arrière):** Enlevez la grille de réchaud avant l'utilisation. Les grilles de cuisson doivent aussi être enlevées si elles nuisent à la rôtissoire. Avant l'allumage, assurez-vous que le compartiment arrière est installé sur les supports situés à l'intérieur de la hotte. Le brûleur arrière est conçu pour être utilisé conjointement avec la rôtissoire offerte chez votre détaillant. Consultez les instructions d'assemblage de la rôtissoire. Pour utiliser le contrepoids, retirez le moteur de la rôtissoire du gril. Insérez la broche sur laquelle vous avez disposé la viande à cuire sur les crochets à l'intérieur du gril. Naturellement, le côté le plus lourd pendra. Serrez la tige du contrepoids et le poids, de façon à ce que la tige soit à la verticale. Ajustez le contrepoids en le glissant vers le haut ou le bas pour équilibrer la charge, puis serrez en place. Réinstallez le moteur et commencez la cuisson. Placez un récipient sous la viande pour recueillir les jus. Ceux-ci serviront à badigeonner et à faire une délicieuse sauce. Si désiré, vous pouvez ajouter un liquide à badigeonner. Pour de meilleurs résultats, gardez le couvercle fermé. Vos rôtis et volailles seront grillés à la perfection à l'extérieur et leur chair sera tendre et juteuse. Par exemple, la cuisson d'un poulet de 3 livres avec la rôtissoire exigera environ 1 ½ heure à une chaleur moyenne à élevée. Pour ajouter d'autres briquettes, tenez-vous à une distance sécuritaire du gril et utilisez une pince à longs manches résistant à la chaleur.



**AVERTISSEMENT!** Installez le compartiment arrière uniquement lorsque vous désirez l'utiliser.



**AVERTISSEMENT!** N'ajoutez jamais d'allume-briquettes liquide sur des briquettes chaudes ou tièdes. Nul besoin d'ajouter de l'allume-briquettes liquide sur des briquettes déjà allumées.

## Consignes De Sécurité Après L'utilisation



**AVERTISSEMENT!** Soyez prudent afin de vous protéger et d'éviter d'endommager la propriété.

- Fermez le couvercle et toutes les portes d'alimentation en air pour éteindre le feu.
- Laissez refroidir complètement le gril avant de le manipuler.
- Ne laissez pas sans surveillance un gril qui contient des charbons ou des cendres. Assurez-vous qu'ils sont complètement éteints avant de les enlever.
- Enlevez les charbons restants et la cendre du gril. Placez les charbons restants et la cendre dans un contenant métallique incombustible, puis saturez le tout avec de l'eau. Attendez 24 heures avant de disposer du contenu.



# Instructions D'entretien et de Nettoyage

Nous vous recommandons de vider le tiroir d'égouttement et à cendres après chaque utilisation.



**AVERTISSEMENT!** Assurez vous que le gril est refroidi et que tous les charbons sont complètement éteints avant d'enlever tout composant du gril.

**AVERTISSEMENT!** Portez toujours des gants protecteurs et des lunettes de sécurité lorsque vous nettoyez votre gril.

**AVERTISSEMENT!** N'utilisez pas de laveuse à pression pour nettoyer les composants du gril.

**AVERTISSEMENT!** L'entretien devrait être effectué seulement lorsque le gril est froid pour éviter toutes possibilités de brûlure. Évitez tout contact avec les surfaces chaudes. Nettoyez votre gril dans un endroit où les produits de nettoyage n'endommageront pas votre patio, pelouse ou terrasse. N'utilisez pas de produit à nettoyer les fours pour nettoyer votre gril au charbon de bois. N'utilisez pas un four autonettoyant pour nettoyer les grilles de cuisson ou tout autre composant de votre gril au charbon de bois. La sauce BBQ et le sel sont corrosifs et causeront une détérioration rapide de votre gril au charbon de bois à moins de le nettoyer régulièrement.

**Les Grilles De Cuisson Et La Grille-Réchaud:** Les grilles de cuisson et la grille-réchaud sont plus faciles à nettoyer durant la période de préchauffage en utilisant une brosse en laiton.

**Nettoyage De L'intérieur Du Gril:** Enlevez les grilles de cuisson. Utilisez une brosse en laiton pour enlever les débris non incrustés sur les côtés de la cuve et à l'intérieur du couvercle. Grattez l'intérieur de la cuve avec un couteau à mastic ou un grattoir, puis utilisez une brosse en laiton pour enlever les dépôts de carbone. Nettoyez l'intérieur du gril avec une brosse en faisant tomber les débris dans le tiroir d'égouttement et à cendres amovible. Si désiré, vous pouvez nettoyer l'intérieur du gril avec un savon doux et de l'eau. Rincez à fond avec de l'eau claire et essuyez.



**AVERTISSEMENT!** L'accumulation de graisse peut présenter un risque de feu. Il devrait être nettoyé après chaque utilisation afin d'éviter une accumulation de graisse.

**Tiroir D'égouttement Et À Cendres:** Sortez le tiroir d'égouttement pour en faciliter le nettoyage. Les cendres, la graisse et les jus de cuisson tombent dans le tiroir d'égouttement situé sous le gril et créent une accumulation. Le tiroir d'égouttement devrait être gratté à l'aide d'un couteau à mastic ou d'un grattoir en jetant les débris dans un contenant métallique incombustible. Nettoyez le tiroir d'égouttement et à cendres avec un détergent doux et de l'eau. Rincez à fond avec de l'eau claire et essuyez.

**Nettoyage De L'extérieur Du Gril:** N'utilisez pas de produits abrasifs pour nettoyer les pièces peintes, de fini porcelaine ou en acier inoxydable. Les éléments en porcelaine émaillée doivent être manipulés avec soin. Le fini émaillée étant cuit il devient comme du verre; il s'ébrêchera au moindre choc. Vous pouvez vous procurer de la peinture émaillée pour les retouches chez votre détaillant NAPOLEON. Utilisez une solution d'eau savonneuse chaude pour nettoyer l'extérieur du gril pendant qu'il est encore tiède au toucher. Pour nettoyer les surfaces en acier inoxydable utilisez un produit de nettoyage à acier inoxydable ou un produit de nettoyage tout usage sans abrasif. Frottez toujours dans le sens du grain. N'utilisez pas de laine d'acier car elle égratignerait le fini. Les pièces en acier inoxydable vont décolorer sous l'effet de la chaleur pour habituellement prendre une couleur dorée ou brune. Cette décoloration est normale et n'affectera pas la performance du gril.

# Guide De Dépannage

Problème	Causes possibles	Solution
Faible chaleur / petite flamme.	<p>Mauvais préchauffage.</p> <p>Circulation d'air insuffisante.</p> <p>Quantité de briquettes insuffisantes.</p> <p>Bac à charbon mal positionné.</p>	<p>Laissez brûler les briquettes jusqu'à ce qu'elles soient légèrement couvertes de cendre grise.</p> <p>Ouvrez les portes d'alimentation en air.</p> <p>Ajoutez des briquettes dans le bac à charbon de bois.</p> <p>Relevez-le à la position la plus élevée.</p>
Poussées de flamme excessives / chaleur inégale.	<p>Mauvais préchauffage.</p> <p>Accumulation excessive de graisse et de cendre dans le tiroir d'égouttement et à cendres.</p> <p>Bac à charbons mal positionné.</p>	<p>Préchauffez le gril, le couvercle fermé, pendant 20 à 25 minutes.</p> <p>Nettoyez le tiroir régulièrement. Ne tapissez pas le tiroir de papier d'aluminium. Consultez les instructions de nettoyage.</p> <p>Abaissez-le à la position la plus basse.</p>
La peinture semble peler à l'intérieur du couvercle ou de la hotte.	<p>Accumulation de graisse sur les surfaces intérieures.</p>	<p>Ceci n'est pas un défaut. Le fini du couvercle et de la hotte est en acier inoxydable et ne pèlera pas. Le pelage est causé par la graisse qui durcit et sèche comme des éclats de peinture qui pèlent. Un nettoyage régulier préviendra ce problème. Consultez les instructions de nettoyage.</p>

# Aperçu de la cuisson au charbon de bois

## *Allumage de votre gril*

- Avant de procéder à la première cuisson, nous vous recommandons de faire fonctionner votre gril à température élevée pendant 30 minutes en gardant les portes d'alimentation en air de la base complètement ouvertes. Les lubrifiants utilisés dans le processus de fabrication seront ainsi évaporés.
- Ouvrez complètement les portes d'alimentation en air sur la base à chaque fois que vous allumez votre gril.
- Nettoyez le récipient à cendres ayant été utilisé précédemment puis réinstallez-le.
- Utilisez la cheminée d'allumage Ultrachef (non comprise) en suivant les instructions fournies dans le manuel. Empilez les briquettes en forme de cône, au centre de l'unité (méthode de cuisson directe) ou dans les paniers à briquettes optionnels (méthode indirecte).
- Une fois les briquettes bien allumées, fermez le couvercle et laissez les briquettes brûler jusqu'à ce qu'elles soient recouvertes d'une cendre légèrement grise (environ 20 minutes). Répartissez les briquettes à l'aide de pinces à long manche résistantes à la chaleur selon la méthode de cuisson que vous prévoyez utiliser.
- De l'allume-feu liquide peut être utilisé pour allumer les briquettes, mais n'est pas recommandé. Cela peut être salissant et peut laisser un goût chimique sur les aliments s'il n'a pas complètement brûlé avant la cuisson. Une fois les briquettes allumées, n'y ajoutez jamais d'autre allume-feu liquide. Gardez le flacon à une distance d'au moins 25 pieds (7,6 m) du gril en marche.
- Des arômes de fumée supplémentaires peuvent être obtenus en ajoutant des copeaux de bois variés offerts chez votre détaillant Napoléon.

## *Cuisson sur votre gril*

- Nous vous recommandons de préchauffer le gril en le faisant fonctionner avec le couvercle fermé pendant environ 20 minutes. Les briquettes sont prêtes quand elles sont recouvertes d'une légère couche de cendre grise.
- En règle générale, prévoyez utiliser environ 100 briquettes pour cuire 4 lb (2 kg) de viande. Si la cuisson dure plus de 30 ou 40 minutes, vous devrez ajouter des briquettes supplémentaires. Si le temps est froid ou venteux, vous aurez besoin de plus de briquettes afin d'atteindre les températures de cuisson idéales.
- Soyez prudent lorsque vous ajoutez des briquettes dans le gril. Les flammes peuvent monter lorsque les charbons sont en contact avec l'air frais. Tenez-vous à une distance sécuritaire et utilisez une pince de cuisine à long manche résistante à la chaleur lors de l'ajout de briquettes.
- Les portes d'alimentation en air sur le couvercle doivent habituellement être ouvertes pour laisser l'air pénétrer dans le gril. L'air accroîtra la température de combustion des briquettes. Vous pouvez contrôler la température du gril en ajustant les portes d'alimentation en air. Pour ce faire, glissez les portes vers la droite ou la gauche.
- Faites cuire la nourriture en gardant le couvercle fermé. Chaque fois que le couvercle est levé, la température baisse. Cela entraîne des températures plus basses et des temps de cuisson plus longs.
- Fermer les portes d'alimentation en air, partiellement ou complètement, aidera à faire refroidir les briquettes. Ne fermez pas complètement les portes d'alimentation en air sur la base, à moins de vouloir refroidir les briquettes ou d'éteindre une flamme.
- La grille de cuisson peut être huilée avant le préchauffage afin d'éviter que les aliments collent.
- Utilisez un thermomètre à viande pour vous assurer que les aliments sont cuits adéquatement.

## *Nettoyage du gril*

- Fermez le couvercle du gril et toutes les portes d'alimentation en air afin d'éteindre le feu.
- Laissez toujours refroidir complètement le gril avant de le manipuler.
- Ne laissez jamais les briquettes ni les cendres dans le gril sans surveillance. Assurez-vous que les briquettes et les cendres sont complètement éteintes avant de les enlever.
- Utilisez une spatule métallique ou une cuillère pour retirer les cendres et les charbons du gril. Placez-les dans un récipient en métal incombustible et imbibe-les dans l'eau. Laissez-les dans le récipient pendant 24 heures avant de les jeter.
- Utilisez une brosse en laiton pour enlever les débris de la cuve et à l'intérieur du couvercle.
- Lavez l'intérieur du gril avec un détergent doux et de l'eau. Rincez à l'eau claire et essuyez.
- Les composants en porcelaine émaillée doivent être manipulés avec soin. Le fini émaillé est semblable à du verre et peut s'ébrécher facilement. De la peinture-émail pour retouches est disponible chez votre détaillant Napoléon.

# **GARDEZ VOTRE REÇU COMME PREUVE D'ACHAT POUR VALIDER VOTRE Commande De Pièces De Rechange**

## ***Information Sur La Garantie***

MODÈLE: \_\_\_\_\_

DATE D'ACHAT: \_\_\_\_\_

NUMÉRO DE SÉRIE: \_\_\_\_\_

### ***(Inscrivez l'information ici pour y avoir accès facilement.)***

Avant de contacter le département du service aux consommateurs, consultez le site Web de NAC pour obtenir plus d'instructions sur le nettoyage, l'entretien, le dépannage et le remplacement des pièces à [www.napoleongrills.com](http://www.napoleongrills.com). Contactez le fabricant directement pour obtenir des pièces de rechange et faire des réclamations au titre de la garantie. Le département du service aux consommateurs est à votre disposition entre 9 h et 17 h (heure normale de l'Est) au 1-866-820-8686 ou par télécopieur au 705-727-4282. Pour qu'une réclamation soit traitée, l'information suivante est nécessaire :

1. Modèle et numéro de série de l'appareil.
2. Numéro de la pièce et description.
3. Description concise du problème (« brisé » n'est pas suffisant).
4. Preuve d'achat (copie de la facture).

Dans certains cas, le département du service aux consommateurs peut demander de retourner la pièce pour des fins d'inspection avant de fournir une pièce de rechange. Les pièces doivent être expédiées port payé à l'attention du département du service aux consommateurs avec l'information suivante :

1. Modèle et numéro de série de l'appareil.
2. Description concise du problème (« brisé » n'est pas suffisant).
3. Preuve d'achat (copie de la facture).
4. Numéro d'autorisation de retour - fourni par le représentant du département du service aux consommateurs.

Avant de contacter le service aux consommateurs, veuillez prendre note que les items suivants ne sont pas couverts par la garantie :

- coûts de transport, de courtage et frais d'exportation;
- coûts de main-d'oeuvre pour l'enlèvement et l'installation de la pièce;
- coûts des appels de service pour diagnostiquer le problème;
- décoloration des pièces en acier inoxydable;
- bris des pièces causé par un manque d'entretien et de nettoyage, ou par l'utilisation de nettoyeurs inappropriés (nettoyant à fourneau).



**ATTENTION!** Lors du déballage et de l'assemblage, nous vous conseillons de porter des gants de travail et des lunettes de sécurité pour votre protection. Malgré tous nos efforts pour assurer que l'assemblage soit aussi sécuritaire et sans problème que possible, il se peut que les bords et les coins des pièces usinées en acier soient coupants et qu'ils causent des coupures si les pièces ne sont pas manipulées correctement.

### ***Pour Commencer***

1. Retirez tous les panneaux, le matériel et le gril du carton d'emballage. Soulevez le couvercle et enlevez les composants qui se trouvent à l'intérieur. Servez-vous de la liste de pièces pour vous assurer que toutes les pièces nécessaires sont incluses.
2. Ne détruisez pas l'emballage jusqu'à ce que le gril ait été complètement assemblé et qu'il fonctionne à votre satisfaction.
3. Assemblez le gril là où il sera utilisé et posez un carton ou une serviette afin d'éviter de perdre ou d'endommager les pièces lors de l'assemblage.
4. La plupart des pièces en acier inoxydable possèdent un revêtement de plastique protecteur qui doit être enlevé avant d'utiliser le gril.
5. Suivez toutes les instructions dans l'ordre donné dans ce manuel.

**Deux personnes sont requises pour soulever la cuve de gril et la placer sur le chariot assemblé.**

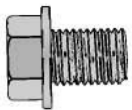
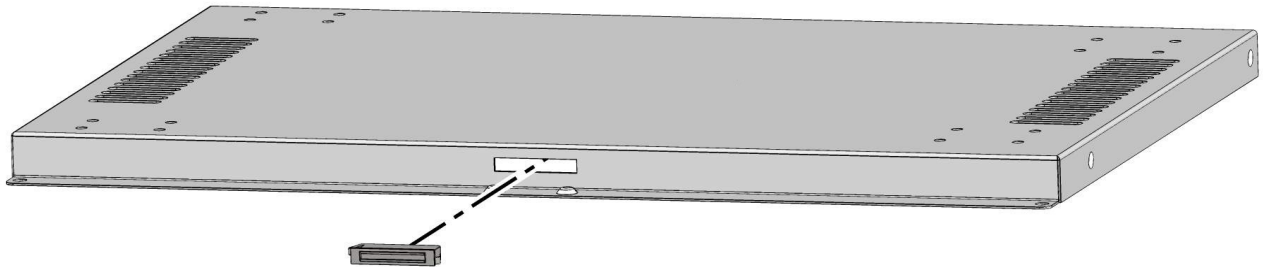
**Si vous avez des questions à propos de l'assemblage ou du fonctionnement du gril, ou si des pièces sont manquantes ou endommagées, veuillez appeler notre département du Service aux Consommateurs au 1-866-820-8686 entre 9 h et 17 h (heure normale de l'Est).**



1 X N430-0002

## Installation de l'aimant

Poussez l'aimant dans la fente à l'avant de la tablette du bas, jusqu'à ce que vous entendiez un déclic.



16 x N570-0073 (1/4-20 X 3/8")



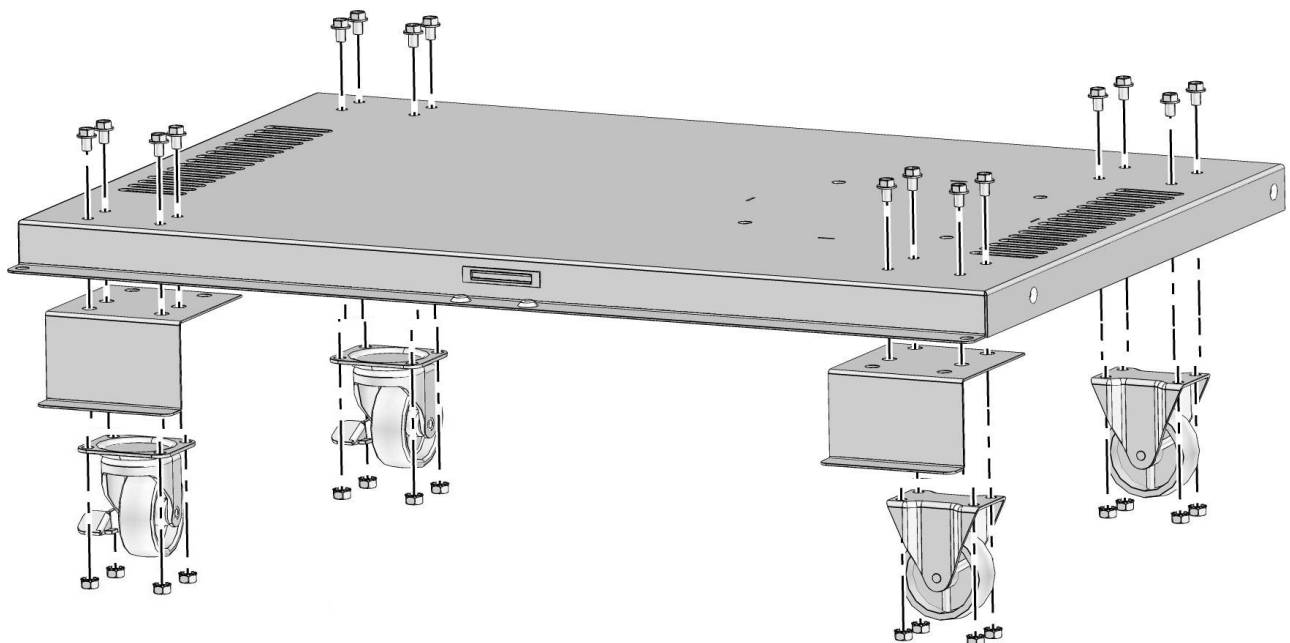
16 x N450-0027 (1/4-20)



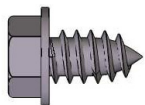
3/8"(10mm) 7/16"(11mm)

## Installation des roulettes / support

Fixez les supports sous les roulettes avant tel. Attachez les quatre (4) roulettes dans les trous en utilisant quatre (4) vis de 1/4 - 20 X 3/8" et quatre (4) contre-écrous de 1/4-20 pour chaque roulette. Serrez fermement.



roulettes non pivotantes - côté droit



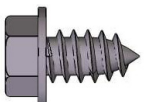
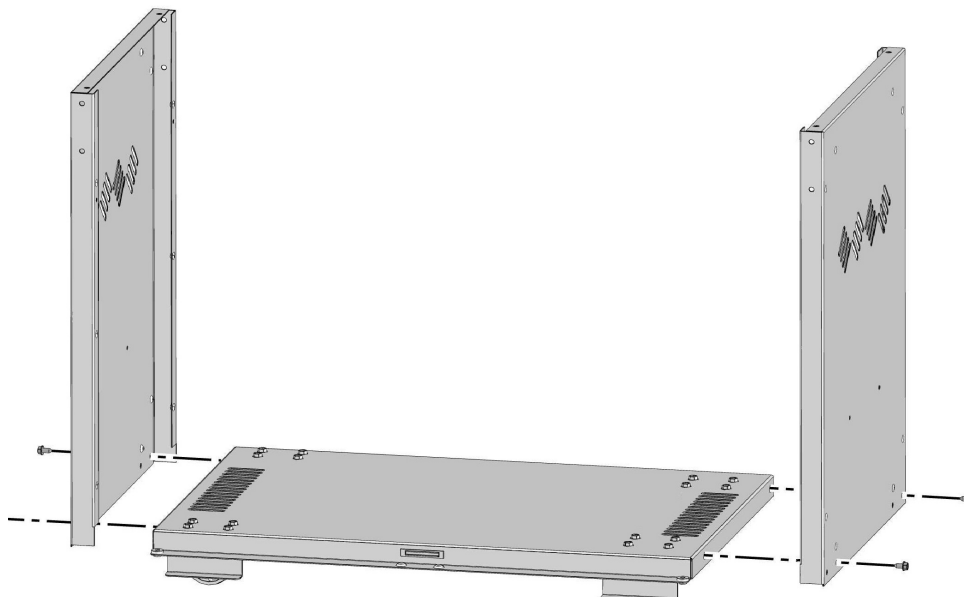
4 x N570-0080 (#14 x 1/2")



3/8" (10mm)

## Installation des panneaux de gauche et de droite du chariot

Installez les panneaux du chariot en vous assurant que les fentes du panneau sont situées en haut. Appuyez les panneaux contre la tablette du bas et alignez les trous. Fixez en utilisant quatre (4) vis #14 x 1/2".



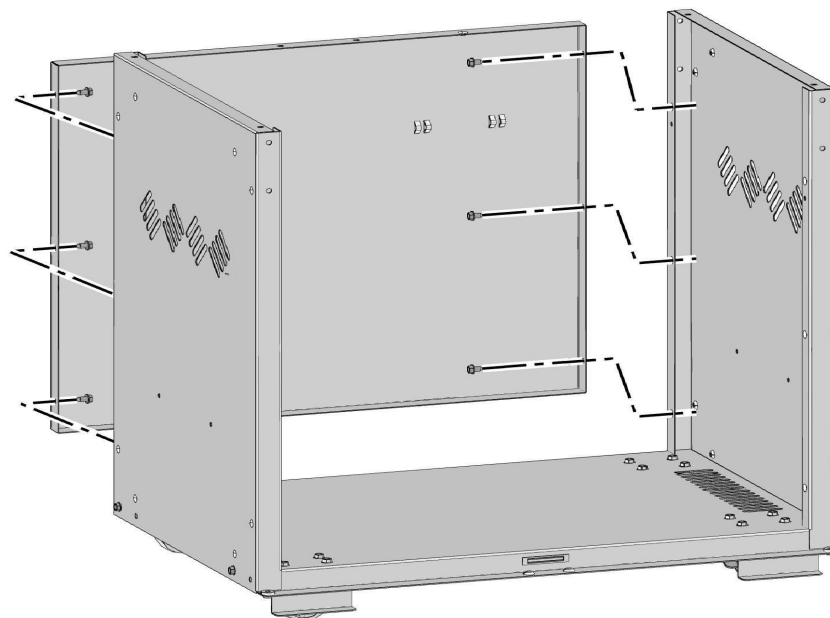
6 x N570-0080 (#14 x 1/2")

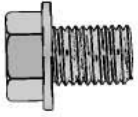


3/8" (10mm)

## Installation du panneau arrière du chariot

Placez le panneau arrière du chariot entre les deux panneaux latéraux en vous assurant que le plus gros trou du panneau se situe dans le coin inférieur droit comme illustré. Fixez en utilisant six (6) vis #14 x 1/2", trois de chaque côté.





6 x N570-0073 (1/4-20 X 3/8")

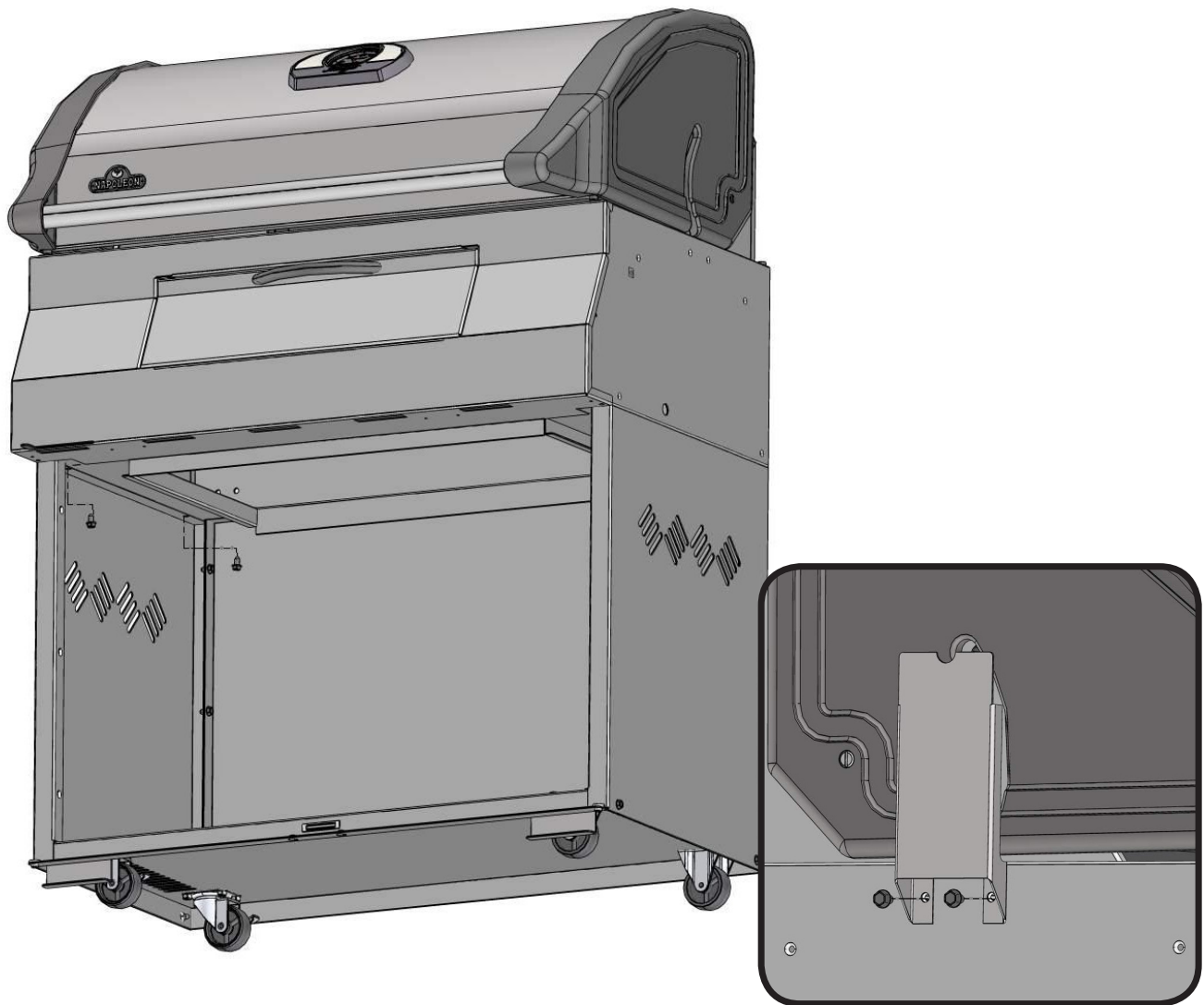


3/8" (10mm)

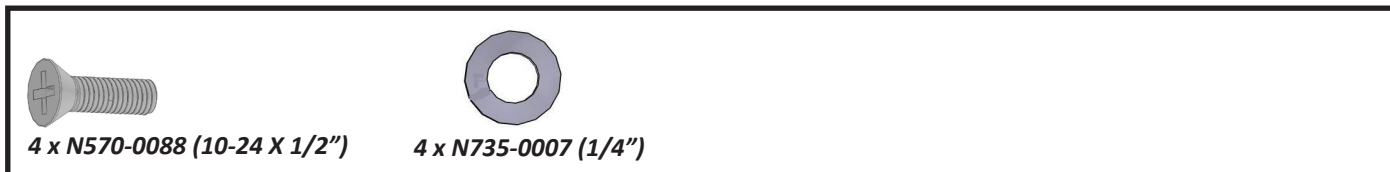
## Installation de la cuve de grill

Soulevez la cuve de grill et installez-la sur le chariot assemblé en alignant les trous au sommet des panneaux latéraux avec les trous au bas de la cuve. Fixez de l'intérieur en utilisant quatre (4) vis de 1/4-20 x 3/8", deux par côté. Installez le support de rôtissoire à la gauche du grill comme illustré, en utilisant deux (2) vis de 1/4-20 x 3/8".

**DEUX PERSONNES SONT REQUISES POUR EFFECTUER CETTE ÉTAPE.**

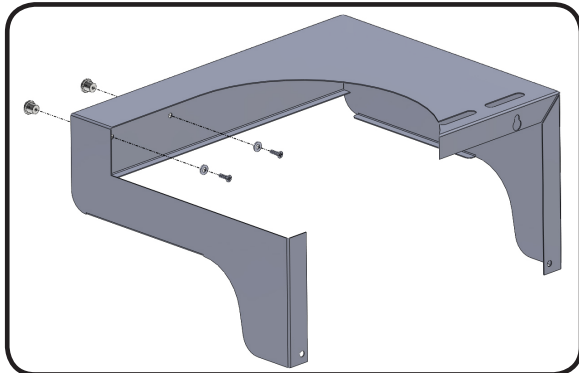






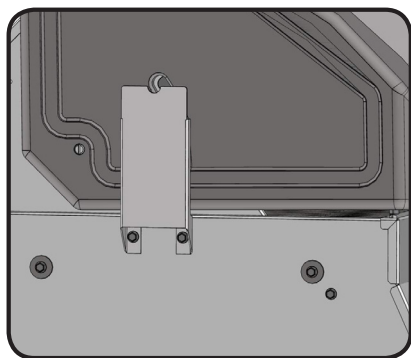
## Installation les crochets à ustensiles

Fixez les crochets à ustensiles fournis sur les côtés de chaque tablette à l'aide de 2 vis 10-24 X 1/2" et 2 rondelles de 1/4".

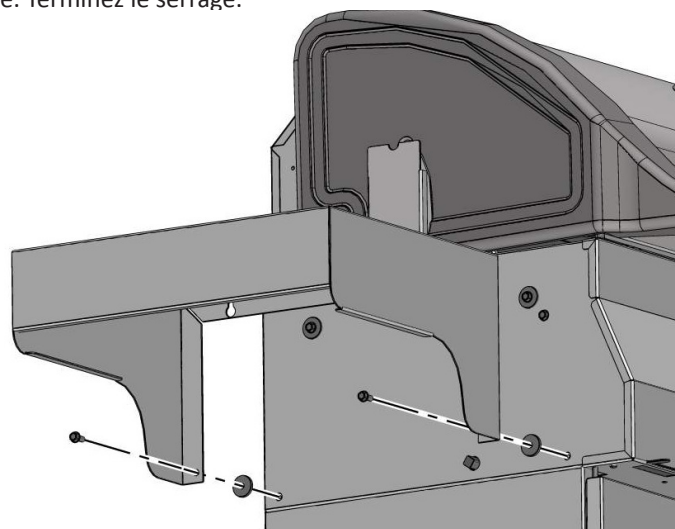


## Installation de la tablette latérale

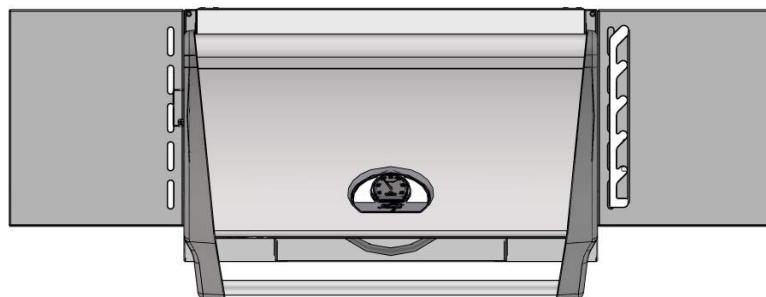
Insérez deux (2) vis de 1/4-20 x 5/8" dans les rondelles jusque dans les trous supérieurs du côté de la cuve. Ne serrez pas jusqu'au bout. Faites glisser la tablette latérale par-dessus les têtes des vis. Alignez les trous inférieurs de la tablette latérale avec les trous inférieurs de la cuve, puis placez les rondelles restantes entre la tablette latérale et la cuve, comme illustré. Insérez les vis restantes dans la tablette latérale, puis dans la cuve. Terminez le serrage.

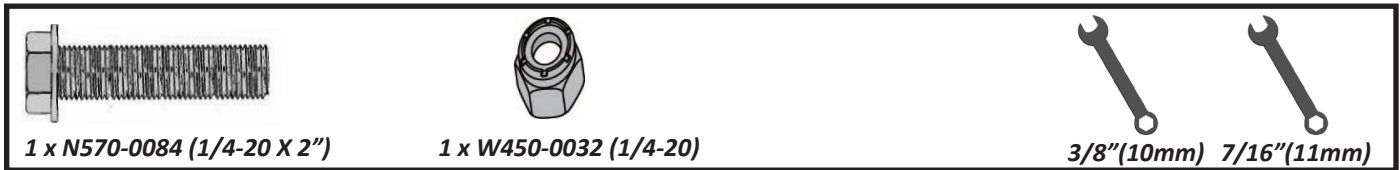


**TABLETTE GAUCHE**



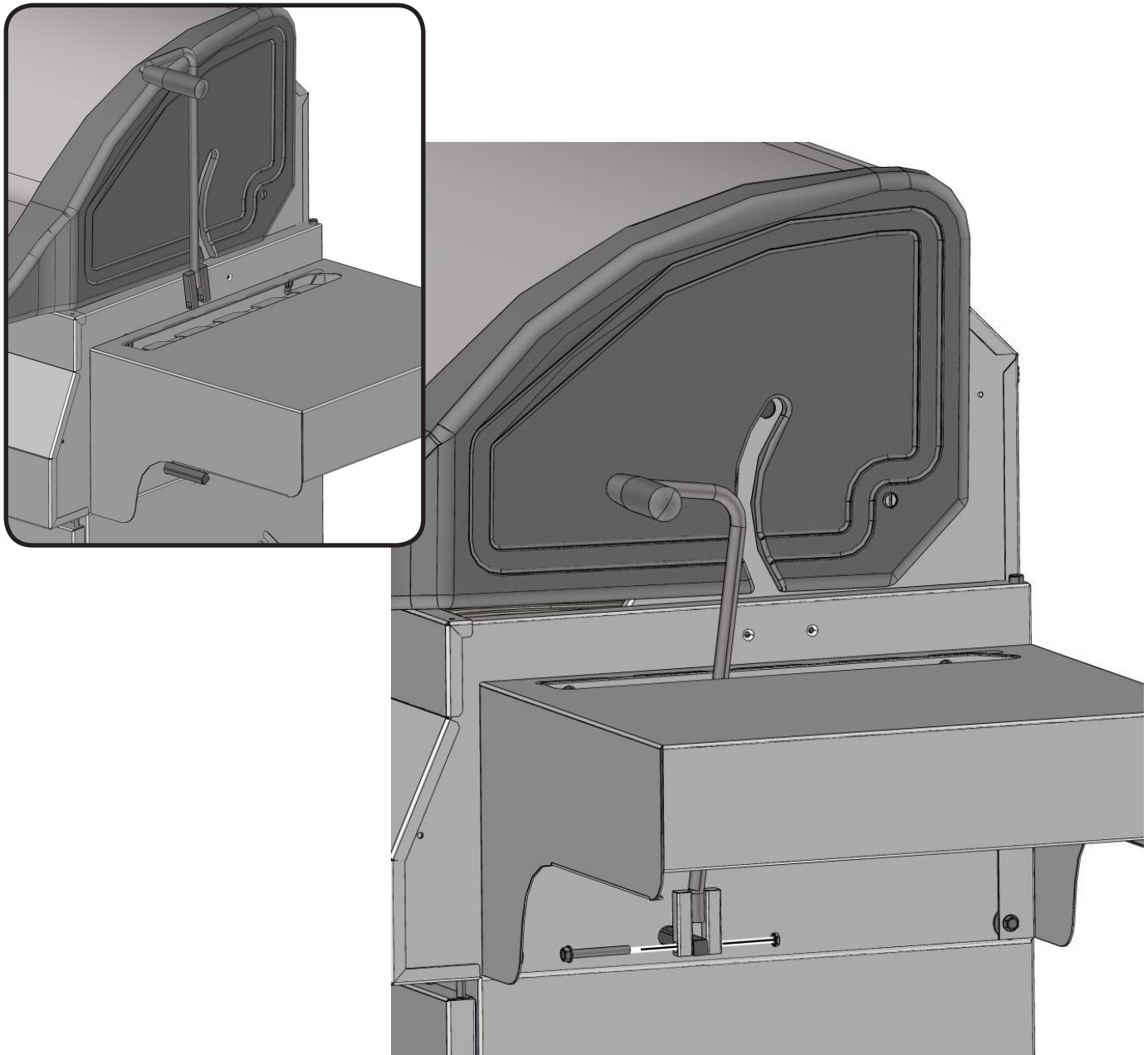
**TABLETTE DROITE**

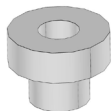




## Installation de la poignée et ajustement du bac à charbon de bois

Insérez la poignée dans la fente de la tablette latérale, comme illustré. Placez-la sur la tige qui émerge de la cuve. Alignez les trous et fixez avec une (1) vis 1/4-20 x 2" et un (1) contre-écrou 1/4-20.

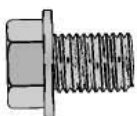
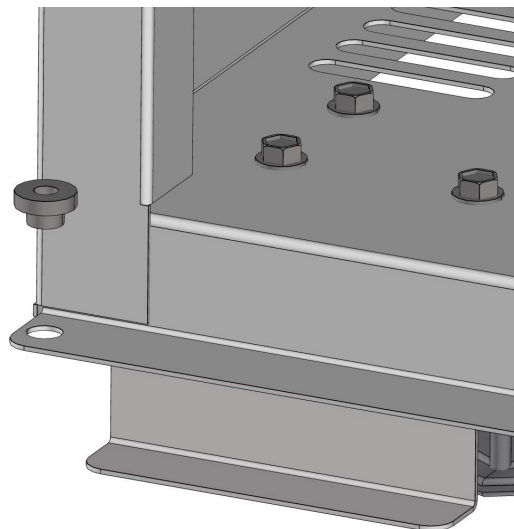




2 x N105-0011

## Installation des bagues de porte

Insérez les bagues dans chaque extrémité de la tablette inférieure.



4 x N570-0073 (1/4-20 X 3/8")



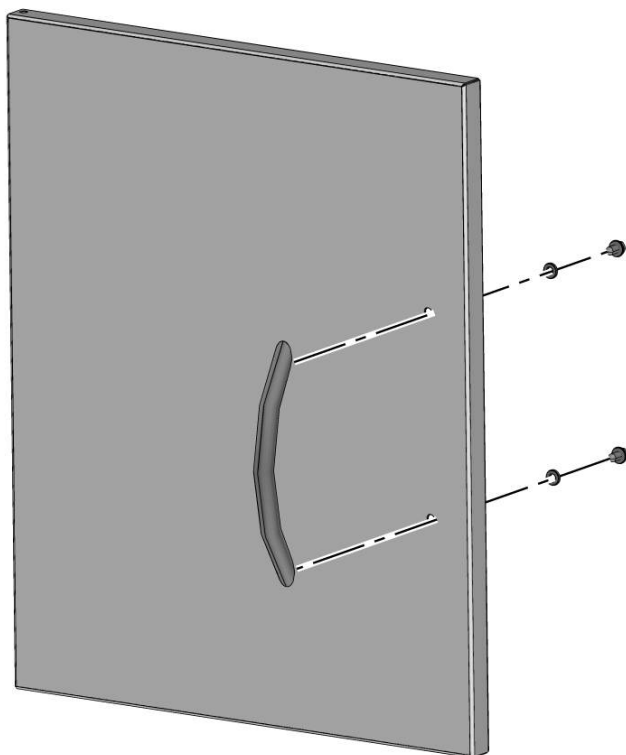
4 x N735-0003 (1/4")



3/8" (10mm)

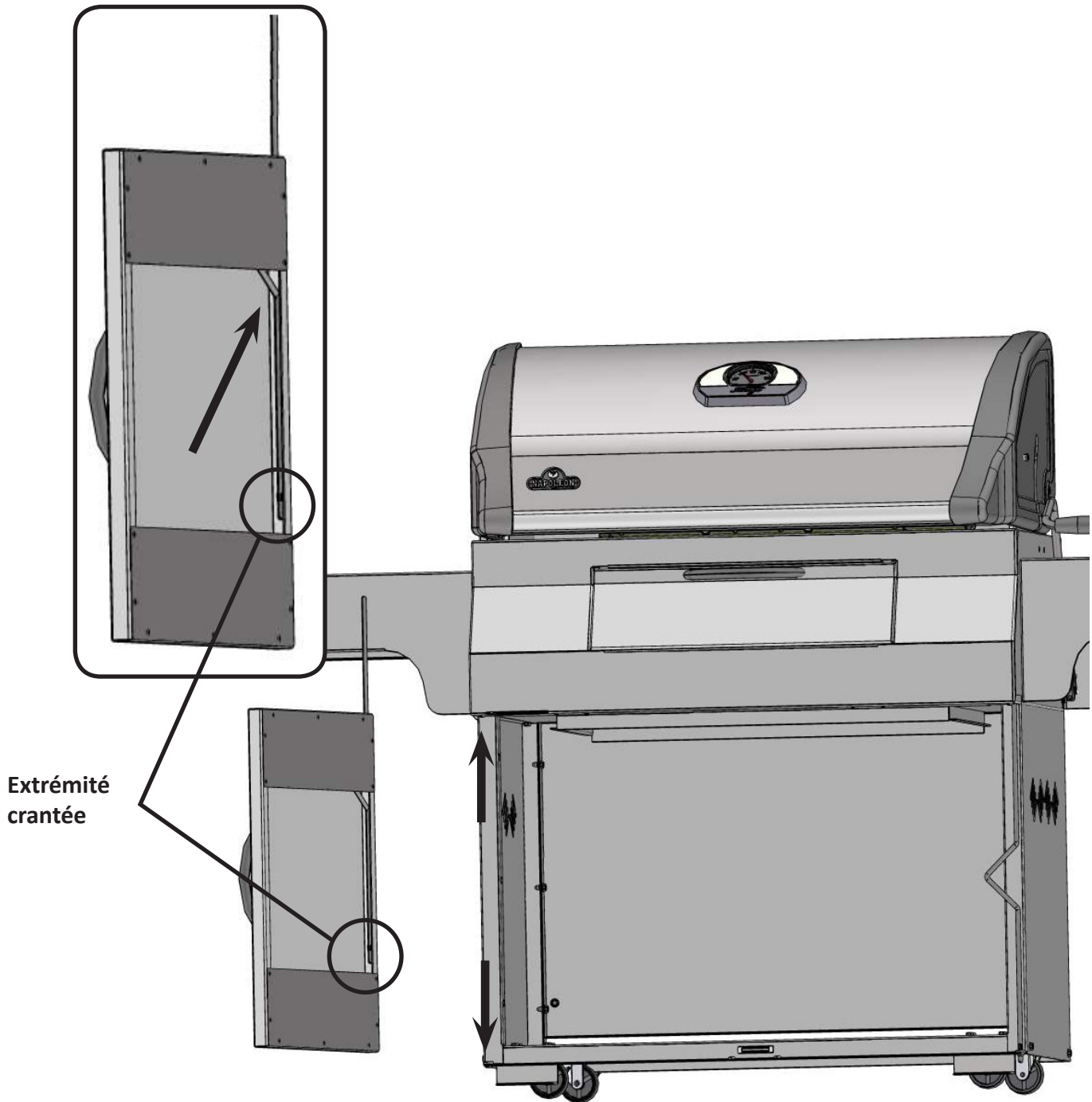
## Installation de la poignée de la porte

Installez la poignée de porte à l'avant de la porte à l'aide de deux (2) vis de 1/4-20 x 3/8" et de deux (2) rondelles 1/4" par porte.



## Installation de la porte du cabinet

Insérez la tige pivot (l'extrémité crantée vers le bas) dans le trou situé dans le haut, à l'intérieur de la porte. En tenant la porte d'une main, dirigez la tige pivot dans le trou situé sous le support avant du cabinet. Lorsqu'elle est fixée, laissez glisser la tige vers le bas, dans le trou inférieur de la porte et dans la bague de la tablette du bas.



## Installation du tiroir d'égouttement et à cendres

Insérez le tiroir d'égouttement sur le devant de la cuve, comme illustré. Assurez vous que le tiroir circule le long des rails au bas de la cuve.

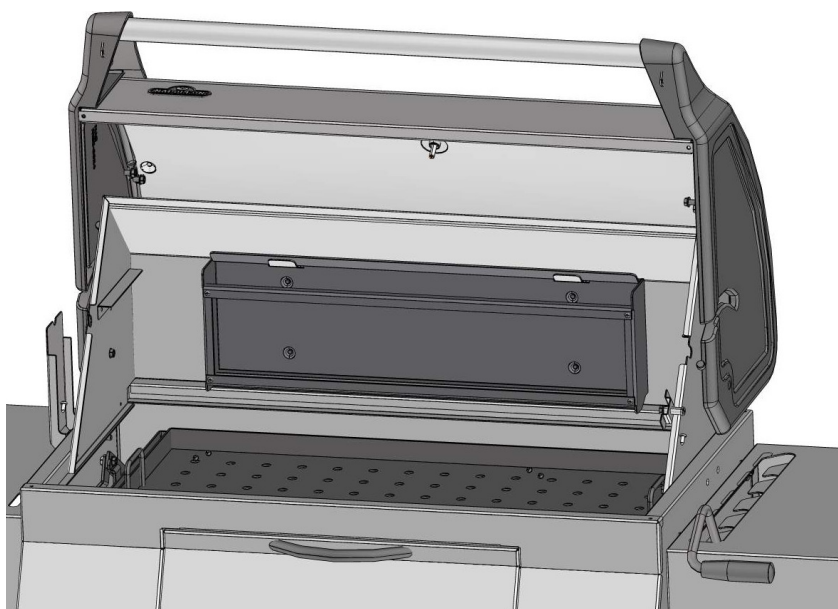


## Installation du compartiment arrière (brûleur arrière)



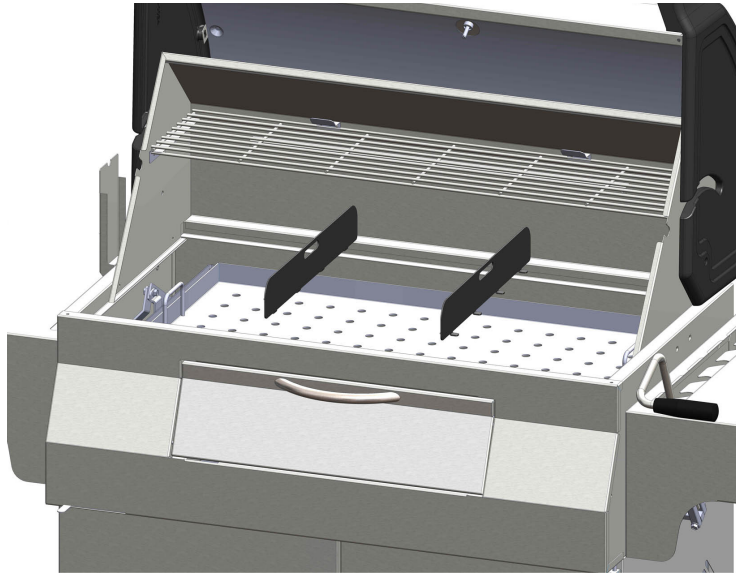
**AVERTISSEMENT!** Installez le compartiment arrière uniquement lorsque vous désirez l'utiliser.

Glissez le compartiment arrière sur les supports à l'intérieur de la hotte, comme illustré.



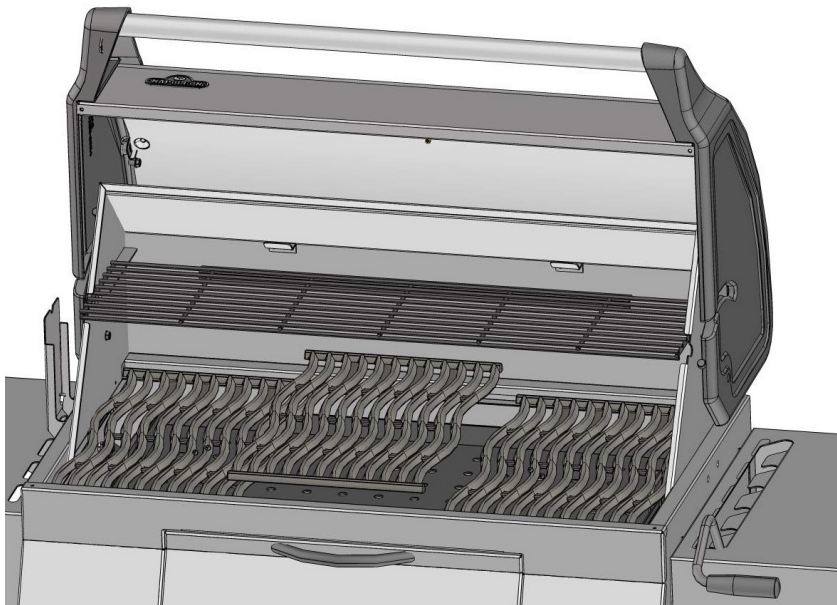
## Installation des séparateurs (cuisson indirecte)

Insérez les séparateurs dans le bac à charbon de bois comme illustré.



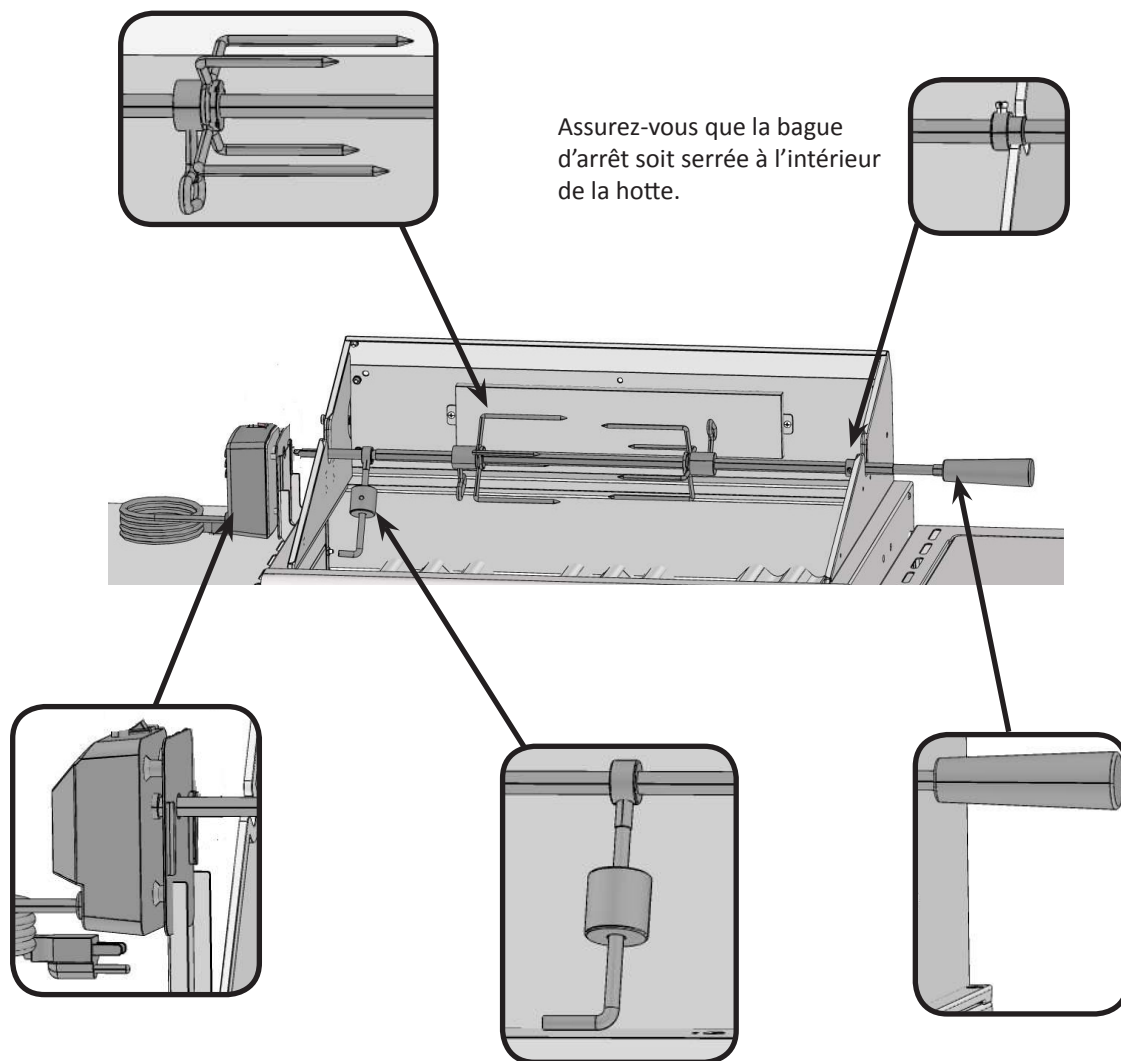
## Installation des grilles de cuisson et de la grille de réchaud

Placez la grille de réchaud sur les supports situés à l'intérieur de la hotte, et les grilles de cuisson sur les bordures avant et arrière de la cuve.





## Installation de la rôtière (facultatif)



## Liste Des Pièces

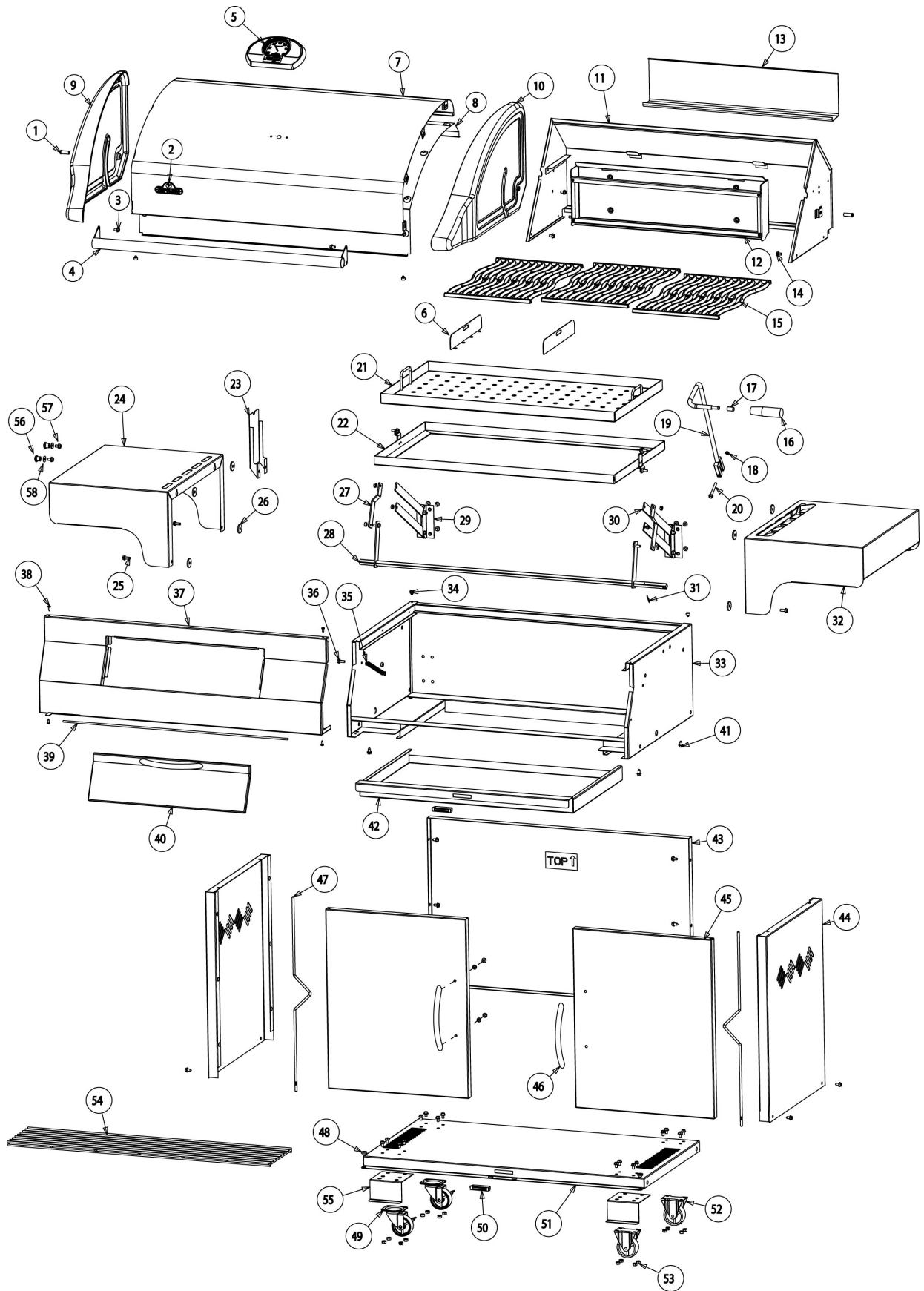
Article	No pièce	Description	605
1	N570-0015	Vis pivot du couvercle	x
2	N385-0129	Logo NAPOLEON	x
	W450-0005	Attaches à ressort pour logo	x
	N510-0010	Pare-choc du couvercle (silicone noire)	x
3	N570-0073	Vis 1/4-20 x 3/8"	x
4	N010-0517	Poignée de couvercle	x
5	N685-0005	Jauge de température	x
6	N500-0048BK1HT	Séparateur de charbon plaque	x
7	N335-0044L	Appliqué pour couvercle en acier inoxydable	x
8	N585-0042	Protecteur de chaleur du couvercle	x
9	N135-0024K	Moulage gauche du couvercle	x
10	N135-0025K	Moulage droit du couvercle	x
11	N010-0553	Hotte	x
12	N010-0550P	Assemblage du brûleur arrière	x
13	N565-0005	Plaque de protection du brûleur arrière	x
14	N570-0008	Vis #8 x 1/2"	x
15	N305-0064	Grilles de cuisson - fonte	x
16	N325-0054	Poignée du levier externe du bac à charbon de bois	x
17	N540-0004	Anneau élastique	x
18	W450-0032	Écrou de blocage 1/4-20	x
19	N010-0555	Assemblage du levier externe du bac à charbon de bois	x
20	N570-0084	Vis 1/4-20 x 2"	x
21	N010-0606P	Assemblage du bac à charbon de bois	x
22	N010-0551P	Assemblage du cadre du bac à charbon de bois	x
23	N475-0199-M06	Support de rôtissoire	x
24	N590-0166	Tablette latérale en acier inoxydable - gauche	x
25	N570-0082	Vis 1/4-20 x 5/8"	x
26	N735-0001	Rondelle isolée	x
27	N080-0241P	Support de décalage	x
28	N010-0552P	Assemblage du levier interne	x
29	N080-0219	Support du bras de levage	x
30	N655-0103P	Bras de levage	x
31	N485-0012	Goupille fendue	x
32	N590-0167	Tablette latérale en acier inoxydable - droite	x
33	N010-0549	Assemblage de la base	x
34	N510-0010	Pare-choc du couvercle (silicone noire)	x
35	N630-0004	Ressort	x
36	N570-0082	Vis 1/4-20 x 5/8"	x
37	N010-0562	Assemblage du panneau avant de la base	x
	N500-0042B	Ventilation poignée	x
38	N570-0013	Vis #8 x 1/2"	x
39	N555-0034	Tige de pivot de la porte d'accès	x
40	N010-0554	Porte d'accès au bac à charbon	x
41	N570-0082	Vis 1/4-20 x 3/8"	x
42	N710-0057P	Tiroir d'égouttement et à cendres	x
43	N475-0214P	Panneau arrière du cabinet	x
44	N475-0213P	Panneaux gauche et droit du cabinet	x
45	N010-0548	Porte du cabinet	x
46	N325-0048	Poignée de porte	x
	N570-0073	Vis 1/4-20 x 3/8"	x
	N735-0003	Rondelle de blocage 1/4"	x
47	N555-0018	Tige de pivot de la porte	x



## Liste Des Pièces

Article	No pièce	Description	605
48	N105-0011	Bagues de porte	x
49	N130-0012	Roulette pivotante	x
50	N430-0002	Loquet magnétique	x
51	N590-0165P	Tablette inférieure	x
52	N130-0013	Roulette non pivotante	x
53	N450-0027	Écrou de blocage 1/4-20	x
54	N520-0024	Grille de réchaud	x
55	N080-0212P	Support de stabilisation	x
56	N340-0006	Crochet d'outil tablette latérale	x
57	N570-0088	Vis 10-24 x 1/2"	x
58	N735-0007	Rondelle de 1/4"	x
	N370-0454	Ensemble de rôtissoire	ac
	N555-0021	Tige de rôtissoire	ac
	63605	Housse en vinyle	ac
	56017	Plaque de cuisson en acier inoxydable	ac

x - compris      ac - accessoires





**TÉLÉCOPIEZ AU: 705 727 4282**

## BON DE COMMANDE POUR PIÈCES/ACCESSOIRES

NOM DU CLIENT \_\_\_\_\_

ADRESSE: \_\_\_\_\_

\_\_\_\_\_

TÉLÉPHONE : \_\_\_\_\_ FAX : \_\_\_\_\_

EMAIL: \_\_\_\_\_

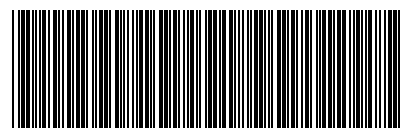
# VISA OU MASTERCARD : \_\_\_\_\_ DATE D'EXPIRATION : \_\_\_\_\_

SIGNATURE: \_\_\_\_\_

QUANTITÉ	NUMÉRO DE PRODUIT	DESCRIPTION

LES TAXES PEUVENT S'APPLIQUER  
LES FRAIS D'EXPEDITION SUPPLÉMENTAIRE

**SI VOUS DÉSIREZ RECEVOIR UNE CONFIRMATION, VEUILLEZ INCLURE UN NUMÉRO DE  
TÉLÉCOPIEUR OU UNE ADRESSE COURRIEL**



N415-0176-GB-FR